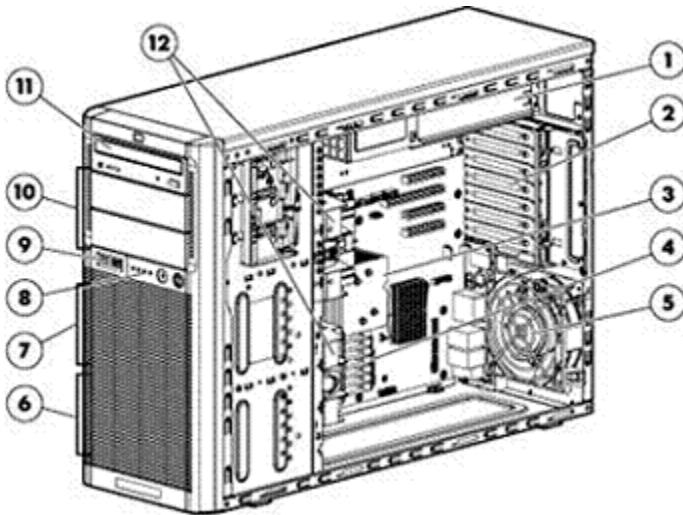


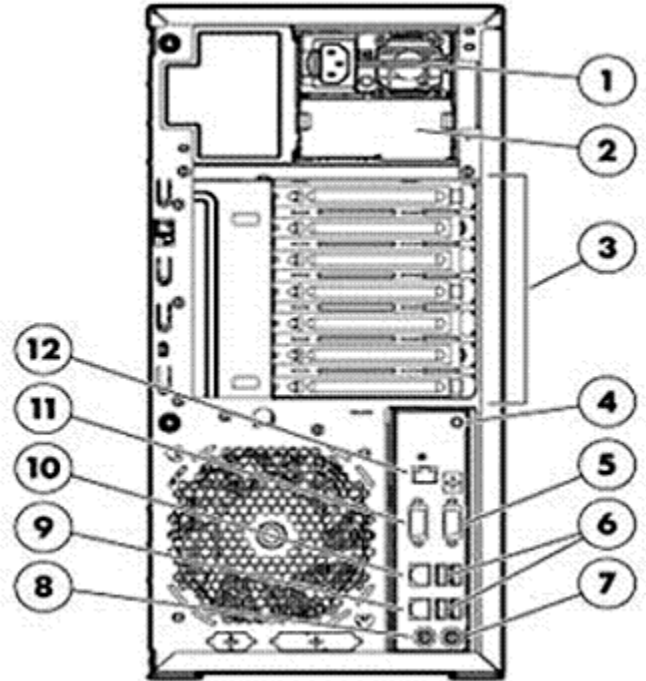
Overview

The HP ProLiant ML330 G6 is a dual processor tower platform built on the latest Intel Xeon processors with QPI technology to create unique system architecture. This unique architecture allows the businesses to scale their businesses as needed so they can optimize their IT spending dollars. The HP ProLiant ML330 G6 delivers to businesses the industry's most powerful embedded management technology with the HP Integrated Lights-Out 2 (iLO 2) allowing them to manage the servers anytime and from anywhere.



Front View:

1. Power supply
2. Expansion slots
3. First processor socket
4. Nine DIMM slots (for 1st processor)
5. Video port
6. Hard drive bays 5-8
7. Hard drive bays 1-4
8. LED indicators and power button
9. USB connectors (2)
10. Removable media bays (2)
11. Optical drive bay
12. Front system fans (2)



Rear View:

1. Power supply 1
2. Optional power supply for redundancy
3. Expansion slots
4. UID button/LED
5. Video ports
6. USB ports (4)
7. PS/2 keyboard port
8. PS/2 mouse port
9. Network port 1 (shared iLO management port)
10. Network port 2
11. Serial port
12. Dedicated iLO2 management port (optional)

Standard Features

NOTE: For the Standard Features shipped in the "Factory Integrated Models", please see the "Configuration Information - Factory Integrated Models" section.

Processor

One of the following depending on Model

Six-Core Processors

Intel® Xeon® X5650 (2.66GHz/6-core/95W/12MB) Processor

Intel® Xeon® E5649 (2.53GHz/6-core/12MB/80W) Processor

Intel® Xeon® E5645 (2.40GHz/6-core/12MB/80W) Processor

Quad-Core Processors

Intel® Xeon® E5640 (2.66GHz/4-core/80W/12MB) Processor

Intel® Xeon® E5630 (2.53GHz/4-core/80W/12MB) Processor

Intel® Xeon® E5620 (2.40GHz/4-core/80W/12MB) Processor

Intel® Xeon® E5607 (2.26GHz/4-core/8MB/80W) Processor

Intel® Xeon® E5606 (2.13GHz/4-core/8MB/80W) Processor

Intel® Xeon® E5603 (1.60GHz/4-core/4MB/80W) Processor

Intel® Xeon® E5540 (2.53GHz/4-core/8MB/80W) Processor

Intel® Xeon® E5530 (2.40GHz/4-core/8MB/80W) Processor

Intel® Xeon® E5520 (2.26GHz/4-core/8MB/80W) Processor

Intel® Xeon® E5507 (2.26 GHz/4-core/80W/4MB) Processor

Intel® Xeon® E5506 (2.13GHz/4-core/4MB/80W) Processor

Intel® Xeon® E5504 (2.0GHz/4-core/4MB/80W) Processor

Dual-Core Processors

Intel® Xeon® E5503 (2.0GHz/2-core/80W/4MB) Processor

Intel® Xeon® E5502 (1.86GHz/2-core/4MB/80W) Processor

NOTE: For the Intel 5500 and 5600 Series, the letter preceding the model number indicates the performance/wattage of the processor. "X" denotes High Performance/Wattage; "E" denotes Enterprise Performance/Wattage (Mainstream); and "L" denotes Lower Wattage.

Cache Memory

One of the following depending on Model

12MB (1x 12MB) level 3 cache

NOTE: For X5600 and E5600 series processors.

8MB (1 x 8MB) Level 3 cache

NOTE: For E5606/E5607/E5540/E5530/E5520 processors.

4MB (1 x 4MB) Level 3 cache

NOTE: For E5603/E5507/E5506/E5504/E5503/E5502 processors.

Chipset

Intel® 5500 Chipset

NOTE: For more information regarding Intel® chipsets, please see the following URL:
<http://www.intel.com/products/server/chipsets/>.

Upgradeability

Upgradeable to 2 processors (2, 4, or 6 core)

Memory Protection

Mirroring

Lock-step mode

Advanced ECC

Online Spare (Requires X5600 or E5600 processor family)

NOTE: Xeon W3500 processor family does not support any of above advanced features.

Standard Features

Memory

One of the following depending on model

Type	DDR3 Registered (RDIMM) and Unbuffered (UDIMM)
Standard (Performance Model)	6GB (3 x 2GB) PC3-10600R (DDR3-1333) Registered DIMMs
Standard (Base Models)	4GB (2 x 2GB) PC3-10600R (DDR3-1333) Registered DIMMs 4GB (2 x 2GB) PC3-10600E (DDR3-1333) Unbuffered DIMMs
Standard (Entry Models)	2GB (1 x 2GB) PC3-10600R (DDR3-1333) Registered DIMMs 2GB (1 x 2GB) PC3-10600E (DDR3-1333) Unbuffered DIMMs
Maximum (RDIMM)	192GB (12 DIMM slots x16GB) for Registered Memory configurations
Maximum (UDIMM)	48GB (12 DIMM slots x 4GB) for Unbuffered Memory configurations

NOTE: Depending on the memory configuration and processor model, the memory speed may run at 1333MHz, 1066MHz, or 800MHz. Please see the Online Memory Configuration Tool at: www.hp.com/go/ddr3memory-configurator.

NOTE: If only one processor is installed, only half the DIMM slots are available

Network Controller Embedded NC326i PCI Express Dual Port Gigabit Server Adapter

Expansion Slots

NOTE: Four total expansion slots. One (1) PCI-Express x8 Gen1 (x1 speed); One (1) PCI-Express x16 Gen2 (x16 speed); Two (2) PCI-Express x8 Gen2 (x4 speed). Optional PCI-X Expander provides additional two (2) 64-bit/100-MHz PCI-X slots by using a single PCI Express slot (only on slot 5).

Expansion Slot #	Technology	Bus Width**	Connector Width	Bus Number*	Form Factor	Notes
6	PCI Express Gen2	x4	x8	4	Standard Height/ Half Length	
5	PCI Express Gen2	x4	x8	10	Standard Height/ Half Length	
4	PCI Express Gen2	x16	x16	13	Standard Height/Length	
3	PCI Express Gen1	x1	x8	7	Standard Height/Length	

* Default bus assignment (in decimal). Inserting cards with PCI bridges may alter the actual bus assignment number

** Indicates the number of physical electrical lanes running to the connector.

Storage Controller

Entry Models	Non hot plug SATA model with HP Smart Array B110i SATA RAID Controller (RAID 0/1/1+0)
Base Models	Hot plug SAS model with integrated HP Smart Array P410/Zero memory SAS Controller (RAID 0/1/1+0) Hot plug SATA model with integrated HP Smart Array B110i SATA RAID controller and hot plug advanced key
Performance Models	Hot plug SATA model with integrated HP Smart Array B110i SATA RAID controller and hot plug advanced key

Available upgrades: 256MB, 512MB with BBWC, 512MB with FBWC, 1G with FBWC, Battery kit upgrade (for the 256MB cache), and Smart Array Advanced Pack (SAAP)

Standard Features

Internal Storage Devices	Diskette Drive	None
	Optical Drive	HP Half-Height SATA DVD-ROM Optical Drive
	Hard Drives	Hot Plug Model: None ship standard
	One of the following depending on Model	Non-Hot Plug Model: HP 250GB 3G SATA 7.2K NHP 3.5" ETY HDD

Maximum Internal Storage	Hot Plug LFF SATA	16TB	8 x 2TB
	Hot Plug LFF SAS	16TB	8 x 2TB

Interfaces	Serial	1
	Network RJ-45	3 (1 dedicated for HP Integrated Lights-Out 2 (iLO 2))
	Keyboard	1
	Pointing Device (Mouse)	1
	Graphics	1
	SD Slot	1 (internal)
	USB 2.0 Ports	8 (2 front, 4 rear, 2 internal)

NOTE: Please see the following URL for additional information regarding USB support:
<http://h18004.www1.hp.com/products/servers/platforms/usb-support.html>.

Industry Standard Compliance	ACPI V2.0 Compliant
	PCI-Express Gen2
	PXE Support
	WOL Support
	PCI-X 1.0a Compliant
	Microsoft® Logo certifications
	USB 2.0

Server Power Cords	NOTE: If customers require a local power cord, they can check the power cord matrix for the appropriate county specific sku. Please see the following power cord matrix for details: http://www.hp.com/go/powercordmatrix
---------------------------	--

Standard Features

Common Slot Power Supplies	<p>It is highly recommended that you use the HP Power Advisor in defining the "Right-Size" power supply for your need. The HP Power Advisor is located at www.hp.com/go/hppoweradvisor</p> <p>HP has a new design for ProLiant power supplies. The new Common Slot (CS) Power Supply provides the customer with commonality in power supplies across multiple platforms to save on the cost of spares and allows HP to offer multiple power solutions to fit the customers' needs. Many HP ProLiant Servers come with or are compatible with high-efficiency HP CS Power Supplies. These power supplies are designed to provide high-efficiency power without degrading performance of the ProLiant server. HP CS Power Supplies options for this server have efficiency ratings up to 92%. There are three Right Size power options available, depending on the configuration of your server. To make sure you select the correct power supply to meet your configuration, we suggest that you use the HP Power Advisor to decide the "Right-Size" for your configuration. All HP Common Slot power sources are UL, CE Mark Compliant, Hot Plug and Redundant.</p> <p>HP's ProLiant CS Power supplies meet multiple Energy Efficiency Initiatives, including Climate Savers Computing Initiative GOLD, ECOS Consulting 80PLUS GOLD and they meet the standard specifications for Energy Star for Servers Power Supply requirements.</p>
-----------------------------------	--

System Fans	<p>3 fans ship standard. System supports a total of 4 fans.</p> <p>NOTE: Does not include power supply or processor heat sink fans. Processor heat sink fans are packed in the processor option kit.</p> <p>NOTE: If customer orders the standalone redundant fan option kit, he/she will receive two (2) fans in a two-fan packaged box. Only one (1) fan is required for system redundancy. The other one can be saved as a spare part. If customer orders the redundant fan kit along with the server, he/she will not be receiving the extra fan.</p>
--------------------	---

Operating Systems and Virtualization Software Support for ProLiant Servers	<p>Microsoft Windows Server Microsoft Windows Server Hyper V Red Hat Enterprise Linux (RHEL) SUSE Linux Enterprise Server (SLES) VMware Citrix Essentials for XenServer</p> <p>NOTE: For more information on HP's Certified and Supported ProLiant Servers for OS and Virtualization Software and latest listing of software drivers available for your server, please visit our Support Matrix at: http://www.hp.com/go/ossupport and our driver download page www.hp.com/support/ML330G6.</p>
---	---

Graphics	<p>Integrated ATI RN50, 64MB video standard</p> <ul style="list-style-type: none">• 16 bit color: maximum resolution of 1600 x 1200• 32 bit color: maximum resolution of 1280 x 1024 <p>NOTE: Maximum resolution available via HP Integrated Lights-Out 2 (iLO 2) remote console is 1280 x 1024.</p>
-----------------	--

Form Factor	<p>Tower (5U)</p> <p>NOTE: Rack mounting available via HP Tower to Rack Conversion Tray, Universal Kit. Please see the options section in this QuickSpecs:</p> <ul style="list-style-type: none">• Square or round hole racks 24"- 36" deep, including HP Rack System /E and HP Systems• Telco racks with 3rd part option kit from Rack Solutions www.hp.com/go/rackandpower
--------------------	--

Standard Features

HP Insight management software

HP Insight Foundation

Managing the growing number of servers can be complex and expensive for your organization. IT managers need to address changing business needs with tools that meet the challenges of managing today's complex Datacenters.

HP provides management solutions that are designed to simplify a server's installation, configuration and maintenance throughout the entire server lifecycle. This provides the customer with higher levels of operational efficiency and highly reliable systems:

www.hp.com/go/foundation.

The foundation pack includes:

- HP SmartStart
- HP Management DVD
- HP ProLiant Smart Update Firmware DVD

SmartStart version supported (minimum): SmartStart 8.25

<http://www.hp.com/servers/smartstart>

NOTE: In an effort to support reducing our environmental impact, the HP ProLiant Essentials Foundation Pack media will be available as a selectable option for this server at time of order of a Factory Integrated Model. This will allow customers to order the number of media kits that best meet their needs and eliminate receiving unnecessary duplicate media.

HP Integrated Lights-Out 2 (iLO 2)

HP Integrated Lights-Out 2 (iLO 2) simplifies server setup, health monitoring, power and thermal control, and lights-out remote administration of ProLiant ML, DL, and BL servers. HP iLO 2 functions without additional software and can be accessed from any location via a web browser. HP iLO 2 works hand-in-hand with HP Systems Insight Manager, Insight Control suites, and Insight Dynamics for ProLiant, helping customers unleash the value of the ProLiant platform and deliver the highest possible quality of IT service. For more information, visit: www.hp.com/go/iLO

Intelligent Manageability

HP Systems Insight Manager

SmartStart

Redundant ROM

System Firmware Update

ROMPaq

ProLiant RBSU (ROM-Based Setup Utility)

Automatic Server Recovery-2 (ASR-2)

Dynamic Sector Repairing (with Smart Array Controller)

Drive Parameter Tracking (with Smart Array Controller)

Pre-Failure Warranty (covers processors, memory, and SAS hard drives)

Dynamic power capping (with 750W PSU)

Standard Features

Security

- Power-on password
- Setup password
- Serial interface control
- Power switch security
- Front bezel/side access panel Lock
- Padlock and Kensington lock available
- Keyboard/Mouse/USB port lock

Warranty

This product is covered by a global limited warranty and supported by HP Services and a worldwide network of HP Authorized Channel Partners resellers. Hardware diagnostic support and repair is available for three years from date of purchase. Support for software and initial setup is available for 90 days from date of purchase. Enhancements to warranty services are available through HP Care Pack services or customized service agreements. Hard drives have either a one year or three year warranty; refer to the specific hard drive QuickSpecs for details.

NOTE: Server Warranty includes 3-Year Parts, 1-Year Labor, 1-Year Onsite support with next business day response. Warranty repairs may be accomplished through the use of Customer Self Repair (CSR) parts. These parts fall into two categories: 1) Mandatory CSR parts are designed for easy replacement. A travel and labor charge will result when customers decline to replace a Mandatory CSR part; 2) Optional CSR parts are also designed for easy replacement but may involve added complexity. Customers may choose to have HP replace Optional CSR parts at no charge. Additional information regarding worldwide limited warranty and technical support is available at: <http://h18004.www1.hp.com/products/servers/platforms/warranty/index.html>

Optional Features

HP Insight management software

HP Insight Control

HP Insight Control, a product option, delivers essential infrastructure management that can help save time and money by making it easy to deploy, migrate, monitor, remote control, and optimize your IT infrastructure through a single, simple management console.

Two versions of Insight Control are available, to serve environments requiring either a Linux-based or a Windows-based central management server: HP Insight Control for Linux, and HP Insight Control. See www.hp.com/go/insightcontrol

HP Insight Control includes one year of 24 x 7 HP Software Technical Support and Update Service ensuring rapid access to HP support staff and proactive delivery of software updates. For more information about this service, please visit: <http://www.hp.com/services/insight>.

HP Insight Dynamics for ProLiant

HP Insight Dynamics for ProLiant, a product option, is advanced infrastructure management software that enables IT staff to instantly adjust their environments to meet dynamic business demands by provisioning, optimizing and protecting complex infrastructure in minutes. It's a powerful toolkit, integrated-by-design, that accelerates complex technology projects and simplifies daily operations, transforming data center economics. With Insight Dynamics IT professionals can plan capacity and power continuously, balance workloads across physical and virtual resources, and ensure cost-effective high availability. It also enables IT organizations to provision infrastructure consistently and automatically from pools of shared resources using a self-service portal. Resources provisioned can range from a single virtual machine to complex multi-tier environments and their associated physical and virtual resource requirements. In addition to the previous functional benefits, it also provides a cost-effective disaster recovery for physical and virtual environments that works with HP StorageWorks Continuous Access software for both the Enterprise Virtual Array and the XP storage array allowing application environments to be reactivated in minutes with the touch of a button to a remote location.

NOTE: For more information, visit: <http://www.hp.com/go/insightdynamics>

Factory Express Portfolio for Servers and Storage

HP Factory Express offers configuration, customization, integration and deployment services for HP servers and storage products. Customers can choose how their factory solutions are built, tested, integrated, shipped and deployed.

Factory Express offers service packages for simple configuration, racking, installation, complex configuration and design services as well as individual factory services, such as image loading, asset tagging, and custom packaging. HP products supported through Factory Express include a wide array of servers and storage: HP Integrity, HP ProLiant, HP ProLiant Server Blades, HP BladeSystem, HP 9000 servers as well as the MSAxxxx, VA7xxx, EVA, XP, rackable tape libraries and configurable network switches.

For more information on Factory Express services for your specific server model please contact your sales representative or go to: <http://www.hp.com/go/factory-express>.

Optional Features

HP Enterprise Configurator

The HP eConfigure-Enterprise Configurator now provides factory default racking for our HP hardware portfolio. This approach is aligned with our strategic direction to meet the needs and expectations of our valued customers. If you require "custom" rack configuration, please contact HP's Customer Business Center or an Authorized Partner for assistance.

<http://www.hp.com/products/configurator>

Service and Support

Service and Support **HP Technology Services for Industry Standard Servers and BladeSystem**

Capitalizing on HP ProLiant server and HP BladeSystem capabilities requires a service partner who understands your increasingly complex business technology environment. That's why it makes sense to team up with the people who know HP infrastructure hardware and software best - the experienced professionals at HP Services.

What HP ProLiant and BladeSystem Services can do for you

HP ProLiant and BladeSystem Services can help you design, deploy, test, integrate, support, and manage IT and infrastructure solutions. This way, HP proposes services solutions that include more than just uplift of base warranty. You can get the support you need by choosing from one of a number of service packaged solutions we have designed to address wider set of customer support needs:.

HP Technology Services meets business challenges with services offered in three packages - **Optimized Care Package, Standard Care Package, and Basic Care Package** - available for each product group. Such packaged solutions enable customers to optimize technology operations, minimize risk and drive better business outcomes with easy-to-buy, easy-to-use scalable support packages for servers, storage, networking and software.

Optimized Care

Optimized Care Package: Supports maintaining servers at optimum performance availability

HP ProLiant Server Hardware Installation

Provides for the basic hardware installation of HP branded servers, storage devices and networking options to assist you in bringing your new hardware into operation in a timely and professional manner

<http://h20195.www2.hp.com/V2/GetPDF.aspx/5981-9356EN>

HP Installation and Startup for Insight Control Software

Provides for the deployment and basic configuration of HP Insight Control on HP ProLiant ML and DL series servers or HP BladeSystem servers

<http://h20195.www2.hp.com/v2/GetPDF.aspx/4AA0-9972ENW.pdf>

3-Year HP Critical Advantage

Provides end-to-end infrastructure support solution for business critical applications running on virtualized/x86 infrastructures, enabling the customers to cost effectively build, operate, and continuously improve their IT environment

<http://h20195.www2.hp.com/V2/GetDocument.aspx?docname=4AA3-1772ENW>

Additional Services: Microsoft or Linux or VMware education courses + Facility & technology environmental assessment services + Energy Efficiency Design, Factory Express

Service and Support

Standard Care

Standard Care Package: Package that maintains high level of server availability

HP ProLiant Server Hardware Installation

Provides for the basic hardware installation of HP branded servers, storage devices and networking options to assist you in bringing your new hardware into operation in a timely and professional manner

<http://h20195.www2.hp.com/V2/GetPDF.aspx/5981-9356EN>

HP Installation and Startup for Insight Control Software

Provides for the deployment and basic configuration of HP Insight Control on HP ProLiant ML and DL series servers or HP BladeSystem servers

<http://h20195.www2.hp.com/v2/GetPDF.aspx/4AA0-9972ENW.pdf>

3-Year HP 6 hour Hardware Support Onsite Call-to-Repair Service

Provides an IT manager with a team of support specialists who will quickly begin troubleshooting the system to help return the hardware to operating condition within 6 hours of the initial service request to the HP Global Solution Center

<http://h20195.www2.hp.com/V2/GetPDF.aspx/5982-6547EN.pdf>

3-Year , HP 24x7 Software Support for Insight Control

Provides for the deployment and basic configuration of HP Insight Control on HP ProLiant ML and DL series servers or HP BladeSystem servers

<http://h20195.www2.hp.com/V2/GetPDF.aspx/5981-6645EEE.pdf>

Additional Services: Software OS (Microsoft, Linux (SUSE/Red Hat) & VMware Installation & Start Up, and Software Support; Install and Startup Services for Insight Control; Microsoft or Linux or VMware education courses; +30 Proactive Select Credits, Factory Express

Basic Care

Basic Care Package: delivers minimum recommended support service level

HP ProLiant Server Hardware Installation

Provides for the basic hardware installation of HP branded servers, storage devices and networking options to assist you in bringing your new hardware into operation in a timely and professional manner

<http://h20195.www2.hp.com/V2/GetPDF.aspx/5981-9356EN>

HP Installation and Startup for Insight Control Software

Provides for the deployment and basic configuration of HP Insight Control on HP ProLiant ML and DL series servers or HP BladeSystem servers

<http://h20195.www2.hp.com/v2/GetPDF.aspx/4AA0-9972ENW.pdf>

3-Year HP 24x7 4 hour Response, Hardware Support Onsite Service

Provides for the deployment and basic configuration of HP Insight Control on HP ProLiant ML and DL series servers or HP BladeSystem servers

<http://h20195.www2.hp.com/v2/GetPDF.aspx/4AA0-9972ENW.pdf>

3-Year , HP 24x7 Software Support for Insight Control

Provides for the deployment and basic configuration of HP Insight Control on HP ProLiant ML and DL series servers or HP BladeSystem servers

<http://h20195.www2.hp.com/V2/GetPDF.aspx/5981-6645EEE.pdf>

Additional Services: Software OS (Microsoft, Linux (SUSE/Red Hat) & VMware Installation & Start Up and Software Support); +10 Proactive Select Credits, Factory Express

Service and Support

Insight Remote Support

The packages include HP Insight Remote Support that uses proven technology to deliver secure, reliable 24x7 remote monitoring, diagnoses, and problem resolution. It is available at no additional cost to all warranty, HP Care Pack Service, and service agreement customers.

For more information

To learn more on HP ProLiant servers and HP BladeSystem servers, please contact your HP sales representative or HP Authorized Channel Partner. Or visit:
<http://www.hp.com/services/proliant>

Pre-configured Models

NOTE: For the Standard Features shipped in the "Factory Integrated Models", please see the "Configuration Information - Factory Integrated Models" section.

NOTE: Pre-configured models ship with the configurations below. Options can be selected from the Core or Additional options section of this QuickSpecs.

NOTE: HP does not allow factory integration of options into pre-configured models. Any additional options purchased will be shipped separately.

NOTE: If you desire a custom configuration please see "Configuration Information - Factory Integrated Models" section of this QuickSpecs.

NOTE: Not all models are available in all regions. Check with your local country HP offices for availability.

Entry Models

Quad-Core Models HP ProLiant ML330 G6 E5504 1P 2GB-R Non-hot Plug SATA 250GB 460W PS Entry Server 504055-xx1	Processor(s) Cache Memory Memory Network Controller Storage Controller Hard Drive Internal Storage Optical Drive Power Supply Fans Accessories Form Factor Warranty	(1) Intel® Xeon® E5504 (2.0GHz/4-core/4MB/80W) Processor 4MB (1 x 4MB) Level 3 cache 2 GB (1 x 2 GB) PC3-10600R (DDR3-1333) Registered DIMMs NOTE: 18 DIMM slots. Embedded NC326i PCI Express Dual Port Gigabit Server Adapter Embedded HP Smart Array B110i SATA RAID Controller (RAID 0/1/0+1) One (1) 250GB 3G SATA 7.2K NHP 3.5" ETY HDD (4) LFF Non Hot Plug SATA HDD Bays only HP Half-Height SATA DVD-ROM Optical Drive 460 Watt power supply (NHP, Non Redundant) 3 fans ship standard PS/2 Keyboard and Mouse ship standard Tower (5U) Server Warranty includes 3-Year Parts, 1-Year Labor, 1-Year Onsite support with next business day response.
--	--	---

Quad-Core Models HP ProLiant ML330 G6 E5603 1P 2GB-U B110i Non-hot Plug SATA 250GB 460W PS Server 637079-xx1	Processor(s) Cache Memory Memory Network Controller Storage Controller Hard Drive Internal Storage Optical Drive Power Supply Fans Accessories Form Factor Warranty	(1) Intel® Xeon® E5603 (1.60GHz/4-core/4MB/80W) Processor 4MB (1 x 4MB) Level 3 cache 2 GB (1 x 2 GB) PC3-10600E (DDR3-1333) Unbuffered DIMMs NOTE: 12 DIMM slots. Embedded NC326i PCI Express Dual Port Gigabit Server Adapter Embedded HP Smart Array B110i SATA RAID Controller (RAID 0/1/0+1) One (1) 250GB 3G SATA 7.2K NHP 3.5" ETY HDD (4) LFF Non Hot Plug SATA HDD Bays only HP Half-Height SATA DVD-ROM Optical Drive 460 Watt power supply (NHP, Non Redundant) 3 fans ship standard PS/2 Keyboard and Mouse ship standard Tower (5U) Server Warranty includes 3-Year Parts, 1-Year Labor, 1-Year Onsite support with next business day response.
--	--	--

Base Models

Quad-Core Models HP ProLiant ML330 G6 E5506 1P 4GB-R P410/ZM Hot Plug SAS/SATA 460W DC	Processor(s) Cache Memory Memory	(1) Intel® Xeon® E5506 (2.13GHz/4-core/4MB/80W) Processor 4MB (1 x 4MB) Level 3 cache 4 GB (2 x 2 GB) PC3-10600R (DDR3-1333) Registered DIMMs NOTE: 18 DIMM slots.
---	---	--



Pre-configured Models

<p>SAS/SATA 460W PS Base Svr 504056-xx1</p>	<p>Network Controller Storage Controller Hard Drive Internal Storage Optical Drive Power Supply Fans Accessories Form Factor Warranty</p>	<p>Embedded NC326i PCI Express Dual Port Gigabit Server Adapter HP Smart Array P410/Zero memory Controller (RAID 0/1/0+1) None ship standard (4) LFF Hot Plug SATA/SAS HDD Bays; upgradeable to (8) HP Half-Height SATA DVD-ROM Optical Drive 460 Watt power supply (NHP, Non Redundant) 3 fans ship standard PS/2 Keyboard and Mouse ship standard Tower (5U) Server Warranty includes 3-Year Parts, 1-Year Labor, 1-Year Onsite support with next business day response.</p>
--	---	--

<p>Quad-Core Models HP ProLiant ML330 G6 E5507 1P 4GB-R B110i Hot Plug SATA LFF 460W PS Base Server 600910-xx1</p>	<p>Processor(s) Cache Memory Memory Network Controller Storage Controller Hard Drive Internal Storage Optical Drive Power Supply Fans Accessories Form Factor Warranty</p>	<p>(1) Intel® Xeon® E5507 (2.26 GHz/4-core/80W/4MB) Processor 4MB (1 x 4MB) Level 3 cache 4 GB (2 x 2 GB) PC3-10600R (DDR3-1333) Registered DIMMs NOTE: 18 DIMM slots. Embedded NC326i PCI Express Dual Port Gigabit Server Adapter Embedded HP Smart Array B110i SATA RAID Controller Hot plug advanced key (RAID 0/1/0+1) None ship standard (4) LFF Hot Plug SATA HDD Bays; upgradeable to (8) HP Half-Height SATA DVD-ROM Optical Drive 460 Watt power supply (NHP, Non Redundant) 3 fans ship standard PS/2 Keyboard and Mouse ship standard Tower (5U) Server Warranty includes 3-Year Parts, 1-Year Labor, 1-Year Onsite support with next business day response.</p>
--	--	---

<p>Quad-Core Models HP ProLiant ML330 G6 E5606 1P 4GB-U B110i 460W PS Server 637080-xx1</p>	<p>Processor(s) Cache Memory Memory Network Controller Storage Controller Hard Drive Internal Storage Optical Drive Power Supply Fans Accessories Form Factor Warranty</p>	<p>(1) Intel® Xeon® E5606 (2.13GHz/4-core/8MB/80W) Processor 8MB (1 x 8MB) Level 3 cache 4 GB (2 x 2 GB) PC3-10600E (DDR3-1333) Unbuffered DIMMs NOTE: 12 DIMM slots. Embedded NC326i PCI Express Dual Port Gigabit Server Adapter Embedded HP Smart Array B110i SATA RAID Controller Hot plug advanced key (RAID 0/1/0+1) None ship standard (4) LFF Hot Plug SATA HDD Bays; upgradeable to (8) HP Half-Height SATA DVD-ROM Optical Drive 460 Watt power supply (NHP, Non Redundant) 3 fans ship standard PS/2 Keyboard and Mouse ship standard Tower (5U) Server Warranty includes 3-Year Parts, 1-Year Labor, 1-Year Onsite support with next business day response.</p>
---	--	--

Pre-configured Models

Performance Model

Quad-Core Models HP ProLiant ML330 G6 E5620 1P 6GB-R B110i Hot Plug SATA LFF 460W PS Perf Server 600911-xx1	Processor(s) Cache Memory Memory Network Controller Storage Controller Hard Drive Internal Storage Optical Drive Power Supply Fans Accessories Form Factor Warranty	(1) Intel® Xeon® E5620 (2.40GHz/4-core/80W/12MB) Processor 12MB (1 x 12MB) Level 3 cache 6 GB (3 x 2 GB) PC3-10600R (DDR3-1333) Registered DIMMs NOTE: 18 DIMM slots. Embedded NC326i PCI Express Dual Port Gigabit Server Adapter Embedded HP Smart Array B110i SATA RAID Controller Hot plug advanced key (RAID 0/1/0+1) None ship standard (4) LFF Hot Plug SATA HDD Bays; upgradeable to (8) HP Half-Height SATA DVD-ROM Optical Drive 460 Watt power supply (NHP, Non Redundant) 3 fans ship standard PS/2 Keyboard and Mouse ship standard Tower (5U) Server Warranty includes 3-Year Parts, 1-Year Labor, 1-Year Onsite support with next business day response.
---	--	---

Country Code Key

xx=00
 xx=01
 xx=03
 xx=04
 xx=05
 xx=20
 xx=29
 xx=37
 xx=42
 xx=AA

Tower Code Key

U.S.
 Australia
 UK
 Germany
 France
 Brazil
 Japan
 APD
 Europe
 PRC

Rack Code Key

U.S.
 N/A
 N/A
 N/A
 N/A
 N/A
 Japan
 APD
 Europe
 PRC

Configuration Information - Factory Integrated Models

NOTE: This section lists some of the steps required to configure a Factory Integrated Model. To ensure only valid configurations are ordered, HP recommends the use of an HP approved configurator. Contact your local sales representative for information on configurable product offerings and requirements.

NOTE: Configure-to-order (CTO) servers must start with a CTO Chassis.

NOTE: FIO indicates that this option is only available as a factory installable option.

Step 1: Base Configuration (choose one of the following configurable models)

HP Models	HP ProLiant ML330 G6 Configure-to-order Tower Server	504271-B21
	Includes:	
	Embedded NC326i PCI Express Dual Port Gigabit Server Adapter	
	Integrated Smart Array B110i SATA RAID Controller	
	Four (4) LFF HDD bays	
	Four (4) PCIe slots	
	Eight (8) USB ports	
	Tower Form Factor	
	PS/2 Keyboard and Mouse (selection required)	

Step 2: Choose Required Options (only one of the following from each list unless otherwise noted)

HP Processors	Six-Core Processors	
	HP ML330 G6 Intel® Xeon® E5649 (2.53GHz/6-core/12MB/80W) FIO Processor Kit	637700-L21
	HP ML330 G6 Intel® Xeon® E5645 (2.40GHz/6-core/12MB/80W) FIO Processor Kit	637701-L21
	Quad-Core Processors	
	HP ML330 G6 Intel® Xeon® E5620 (2.40GHz/4-core/12MB/80W) FIO Processor Kit	601052-L21
	HP ML330 G6 Intel® Xeon® E5607 (2.26GHz/4-core/8MB/80W) FIO Processor Kit	637702-L21
	HP ML330 G6 Intel® Xeon® E5606 (2.13GHz/4-core/8MB/80W) FIO Processor Kit	637703-L21
	HP ML330 G6 Intel® Xeon® E5603 (1.60GHz/4-core/4MB/80W) FIO Processor Kit	637704-L21
	HP ML330 G6 Intel® Xeon® E5507 (2.26GHz/4-core/4MB/80W) FIO Processor Kit	601051-L21
	HP ML330 G6 Intel® Xeon® E5506 (2.13GHz/4-core/4MB/80W) FIO Processor Kit	535582-L21
	HP ML330 G6 Intel® Xeon® E5504 (2.0GHz/4-core/4MB/80W) FIO Processor Kit	535581-L21
	Dual-Core Processors	
	HP ML330 G6 Intel® Xeon® E5503 (2.0GHz/2-core/4MB/80W) FIO Processor Kit	601050-L21
	NOTE: Xeon E5500 DP family supports both Registered DIMMs and Unbuffered DIMMs. Xeon W3500 UP family supports only Unbuffered DIMMs.	
HP Memory	Registered DIMMs (RDIMMs)	
	HP 2GB (1x2GB) Dual Rank x8 PC3-10600 (DDR3-1333) Registered CAS-9 Memory Kit	500656-B21
	HP 4GB (1x4GB) Dual Rank x4 PC3-10600 (DDR3-1333) Registered CAS-9 Memory Kit	500658-B21
	HP 4GB (1x4GB) Single Rank x4 PC3-10600 (DDR3-1333) Registered CAS-9 Memory Kit	593339-B21

Configuration Information - Factory Integrated Models

HP 4GB (1x4GB) Single Rank x4 PC3L-10600 (DDR3-1333) Registered CAS-9 Low Power Memory Kit 604504-B21

NOTE: Low Voltage DIMMs can only be used with Intel® Xeon® processor 5600 series processors.

HP 8GB (1x8GB) Dual Rank x4 PC3-10600 (DDR3-1333) Registered CAS-9 Memory Kit 500662-B21

HP 8GB (1x8GB) Dual Rank x4 PC3L-10600 (DDR3-1333) Registered CAS-9 Low Power Memory Kit 604506-B21

NOTE: Low Voltage DIMMs can only be used with Intel® Xeon® processor 5600 series processors.

HP 16GB (1x16GB) Quad Rank x4 PC3-8500 (DDR3-1066) Registered CAS-7 Memory Kit 500666-B21

Unbuffered with ECC DIMMs (UDIMMs)

HP 1GB (1x1GB) Single Rank x8 PC3-10600 (DDR3-1333) Unbuffered CAS-9 Memory Kit 500668-B21

HP 2GB (1x2GB) Dual Rank x8 PC3-10600 (DDR3-1333) Unbuffered CAS-9 Memory Kit 500670-B21

HP 4GB (1x4GB) Dual Rank x8 PC3-10600 (DDR3-1333) Unbuffered CAS-9 Memory Kit 500672-B21

NOTE: For detailed memory configuration rules and guidelines, please use the Online DDR3 Memory Configuration Tool: www.hp.com/go/ddr3memory-configurator.

NOTE: PC3L is a low voltage memory.

HP Drive Cage Options Non-Hot Plug HDD Model

HP SATA 5U G6 Module FIO Kit 500448-B21

Hot Plug HDD Model

HP Hot Plug HDD Drive Cage Kit 487737-B21

NOTE: Hot Plug SATA/SAS model and Non-hot plug SAS model requires a HP SATA or SAS RAID Controller.

NOTE: Non-hot plug model supports up to 4 drives only and at least one NHP hard drive is required.

NOTE: Embedded B110i controller can be enabled with hot plug functionality with the purchase of Smart Array Hot Plug Advance Pack (TC421A) and at least 1 hot plug HDD.

NOTE: For 8 LFF Drive maximum support, 2 Hot Plug HDD Drive Cages and Smart Array controller 8 ports or 2x 4 ports.

HP Hard Drives

NOTE: The components of a storage subsystem (e.g. the drive, the HBA/controller, firmware, and the server backplane) should operate at the same data transfer rate or the system bandwidth will be negotiated down to an acceptable level for all components.

NOTE: Hard Drives are only Required if Non-Hot Plug Drive Cage Option (P/N: 500448-B21) is selected.

NOTE: Hard drives have either a one year or three year warranty; refer to the specific hard drive QuickSpecs for details.

SAS Non-Hot Plug LFF (3.5-inch) Enterprise (ENT) Drives

HP 600GB 6G SAS 15K rpm LFF (3.5-inch) Non-hot Plug Dual Port Enterprise 3yr Warranty Hard Drive 516830-B21

HP 450GB 6G SAS 15K rpm LFF (3.5-inch) Non-hot Plug Dual Port Enterprise 3yr Warranty Hard Drive 516826-B21

HP 300GB 6G SAS 15K rpm LFF (3.5-inch) Non-hot Plug Dual Port Enterprise 3yr Warranty Hard Drive 516824-B21

NOTE: Non-hot plug SAS drives require the Non-hot plug Internal SAS/SATA 4 port Cable kit (P/N 487734-B21) and a HP SAS/Smart Array Controller.

Configuration Information - Factory Integrated Models

SATA Non-Hot Plug LFF (3.5-inch) Entry (ETY) Drives

HP 160GB 3G SATA 7.2K rpm LFF (3.5-inch) Non-hot Plug Entry 1yr Warranty Hard Drive 458947-B21

SATA Non-Hot Plug LFF (3.5-inch) Midline (MDL) Drives

HP 2TB 3G SATA 7.2K rpm LFF (3.5-inch) Non-hot Plug Midline 1yr Warranty Hard Drive 507774-B21

HP 1TB 3G SATA 7.2K rpm LFF (3.5-inch) Non-hot Plug Midline 1yr Warranty Hard Drive 507772-B21

HP 500GB 3G SATA 7.2K rpm LFF (3.5-inch) Non-hot Plug Midline 1yr Warranty Hard Drive 458941-B21

HP Power supplies

NOTE: Prior to making a power supply selection it is highly recommended that the HP Power Advisor is run to determine the right size power supply for your server configuration. The HP Power Advisor is located at: www.hp.com/go/hppoweradvisor.

HP 460W Factory Integrated Power Supply Kit 500447-B21

HP 750W Common Slot Gold Hot Plug Power Supply Kit 512327-B21

NOTE: The HP 750W power supply requires purchasing the Redundant Power Supply Enablement Kit (P/N 508544-B21).

Power Options

HP 5U G6 Redundant Power Supply Enablement Kit 508544-B21

NOTE: The Redundant Power Supply Enablement kit does not integrate any power supply. Two (2) units of 750W power supply are required to achieve redundancy.

Step 3: Choose Additional Factory Integratable Options

HP Storage Controllers **NOTE:** SAS non-hot plug drives require the Non-Hot Plug Internal SAS/SATA 4 port Cable kit (P/N 487734-B21) and a HP SAS/Smart Array Controller.

NOTE: HP NHP Internal SAS/SATA 4 Port Cable Kit (487734-B21) is required when adding Smart Array P410 Controller on Non-Hot Plug SATA/SAS server models.

HP Smart Array P212/256 BBWC 1-ports Int/1-ports Ext PCIe x8 FIO SAS Controller 491191-B21

HP Smart Array P410/ZM 2-ports Int PCIe x8 FIO SAS Controller 462860-B21

HP Smart Array P410/256 BBWC 2-ports Int PCIe x8 FIO SAS Controller 491195-B21

HP Smart Array P411/256 BBWC 2-ports Ext PCIe x8 FIO SAS Controller 491193-B21

NOTE: SAS Controller supports RAID 0/1/1+0/5.

HP Insight Software HP Insight Control including 1yr 24x7 Support ProLiant ML/DL/BL-bundle Single Server FIO License 582765-B21

HP Insight Control for Linux including 1yr 24x7 Support ML/DL Bundle 1 Server FIO License TC203A

Step 4: Choose Additional Options for Factory Integration

NOTE: For additional options, please refer to the "Core Options" or "Additional Options" section below.

Core Options

NOTE: Some options may not be integrated at the factory. To ensure only valid configurations are ordered, HP recommends the use of an HP approved configurator. Contact your local sales representative for additional information.

HP Processors

Six-Core Processors

HP ML330 G6 Intel® Xeon® X5650 (2.66GHz/6-core/12MB/95W) Processor Kit	603978-B21
HP ML330 G6 Intel® Xeon® E5649 (2.53GHz/6-core/12MB/80W) Processor Kit	637705-B21
HP ML330 G6 Intel® Xeon® E5645 (2.40GHz/6-core/12MB/80W) Processor Kit	637706-B21

Quad-Core Processors

HP ML330 G6 Intel® Xeon® E5640 (2.66GHz/4-core/12MB/80W) Processor Kit	607122-B21
HP ML330 G6 Intel® Xeon® E5630 (2.53GHz/4-core/12MB/80W) Processor Kit	603977-B21
HP ML330 G6 Intel® Xeon® E5620 (2.40GHz/4-core/12MB/80W) Processor Kit	603976-B21
HP ML330 G6 Intel® Xeon® E5607 (2.26GHz/4-core/8MB/80W) Processor Kit	637707-B21
HP ML330 G6 Intel® Xeon® E5606 (2.13GHz/4-core/8MB/80W) Processor Kit	637708-B21
HP ML330 G6 Intel® Xeon® E5603 (1.60GHz/4-core/4MB/80W) Processor Kit	637709-B21
HP ML330 G6 Intel® Xeon® E5540 (2.53GHz/4-core/8MB/80W) Processor Kit	512716-B21
HP ML330 G6 Intel® Xeon® E5530 (2.40GHz/4-core/8MB/80W) Processor Kit	512715-B21
HP ML330 G6 Intel® Xeon® E5520 (2.26GHz/4-core/8MB/80W) Processor Kit	512714-B21
HP ML330 G6 Intel® Xeon® E5507 (2.26 GHz/4-core/4MB/80W) Processor Kit	603975-B21
HP ML330 G6 Intel® Xeon® E5506 (2.13GHz/4-core/4MB/80W) Processor Kit	512713-B21
HP ML330 G6 Intel® Xeon® E5504 (2.0GHz/4-core/4MB/80W) Processor Kit	512712-B21

Dual-Core Processors

HP ML330 G6 Intel® Xeon® E5503 (2.0GHz/2-core/4MB/80W) Processor Kit	603974-B21
HP ML330 G6 Intel® Xeon® E5502 (1.86GHz/2-core/4MB/80W) Processor Kit	512711-B21

NOTE: Each processor kit includes (1) processor/(1) heatsink/ (1) Processor board. The processor board is integrated with (1) processor socket and (9) DIMM slots.

NOTE: When two (2) Xeon E5500 processors are installed, the system QPI will be locked at 4.8 GT/s.

NOTE: Xeon E5500 DP family supports both Registered DIMMs and Unbuffered DIMMs. Xeon W3500 UP family supports only Unbuffered DIMMs.

HP Memory

Registered DIMMs (RDIMMs)

HP 2GB (1x2GB) Dual Rank x8 PC3-10600 (DDR3-1333) Registered CAS-9 Memory Kit	500656-B21
HP 4GB (1x4GB) Dual Rank x4 PC3-10600 (DDR3-1333) Registered CAS-9 Memory Kit	500658-B21
HP 4GB (1x4GB) Single Rank x4 PC3-10600 (DDR3-1333) Registered CAS-9 Memory Kit	593339-B21
HP 4GB (1x4GB) Single Rank x4 PC3L-10600 (DDR3-1333) Registered CAS-9 Low Power Memory Kit	604504-B21
NOTE: Low Voltage DIMMs can only be used with Intel® Xeon® processor 5600 series processors.	
HP 8GB (1x8GB) Dual Rank x4 PC3-10600 (DDR3-1333) Registered CAS-9 Memory Kit	500662-B21
HP 8GB (1x8GB) Dual Rank x4 PC3L-10600 (DDR3-1333) Registered CAS-9 Low Power Memory Kit	604506-B21
NOTE: Low Voltage DIMMs can only be used with Intel® Xeon® processor 5600 series processors.	
HP 16GB (1x16GB) Quad Rank x4 PC3-8500 (DDR3-1066) Registered CAS-7 Memory Kit	500666-B21

Core Options

Unbuffered with ECC DIMMs (UDIMMs)

HP 1GB (1x1GB) Single Rank x8 PC3-10600 (DDR3-1333) Unbuffered CAS-9 Memory Kit	500668-B21
HP 2GB (1x2GB) Dual Rank x8 PC3-10600 (DDR3-1333) Unbuffered CAS-9 Memory Kit	500670-B21
HP 4GB (1x4GB) Dual Rank x8 PC3-10600 (DDR3-1333) Unbuffered CAS-9 Memory Kit	500672-B21

NOTE: For detailed memory configuration rules and guidelines, please use the Online DDR3 Memory Configuration Tool: www.hp.com/go/ddr3memory-configurator.

NOTE: PC3L is a low voltage memory.

HP Optical Drives	HP Half-Height SATA DVD-ROM Optical Drive	447326-B21
	HP Half-Height SATA DVD RW Optical Drive	447328-B21

HP Drive Cage Options	HP 5U Hot Plug HDD Drive Cage Kit	487737-B21
------------------------------	-----------------------------------	------------

NOTE: To reach maximum 8 LFF Drive support, it is required to purchase 2 Hot Plug HDD Drive Cages and Smart Array controller 8 ports or 2x 4 ports.

HP Hard Drives

NOTE: The components of a storage subsystem (e.g. the drive, the HBA/controller, firmware, and the server backplane) should operate at the same data transfer rate or the system bandwidth will be negotiated down to an acceptable level for all components.

NOTE: Hard drives have either a one year or three year warranty; refer to the specific hard drive QuickSpecs for details.

NOTE: SAS Non-Hot Plug and SAS Hot Plug Models require HP SAS Smart Array Controller.

SAS Hot Plug LFF (3.5-inch) Enterprise (ENT) Drives

HP 600GB 6G SAS 15K rpm LFF (3.5-inch) Dual Port Enterprise 3yr Warranty Hard Drive	516828-B21
HP 450GB 6G SAS 15K rpm LFF (3.5-inch) Dual Port Enterprise 3yr Warranty Hard Drive	516816-B21
HP 300GB 6G SAS 15K rpm LFF (3.5-inch) Dual Port Enterprise 3yr Warranty Hard Drive	516814-B21

SAS Non-Hot Plug LFF (3.5-inch) Enterprise (ENT) Drives

HP 600GB 6G SAS 15K rpm LFF (3.5-inch) Non-hot Plug Dual Port Enterprise 3yr Warranty Hard Drive	516830-B21
HP 450GB 6G SAS 15K rpm LFF (3.5-inch) Non-hot Plug Dual Port Enterprise 3yr Warranty Hard Drive	516826-B21
HP 300GB 6G SAS 15K rpm LFF (3.5-inch) Non-hot Plug Dual Port Enterprise 3yr Warranty Hard Drive	516824-B21

SAS Hot Plug LFF (3.5-inch) Midline (MDL) Drives

HP 2TB 6G SAS 7.2K rpm LFF (3.5-inch) Dual Port Midline 1yr Warranty Hard Drive	507616-B21
HP 1TB 6G SAS 7.2K rpm LFF (3.5-inch) Dual Port Midline 1yr Warranty Hard Drive	507614-B21

NOTE: Please see the QuickSpecs for Technical Specifications and additional information:

http://h18000.www1.hp.com/products/quickspecs/12244_div/12244_div.html (Worldwide)

Core Options

SATA Hot Plug LFF (3.5-inch) Midline (MDL) Drives

HP 2TB 3G SATA 7.2K rpm LFF (3.5-inch) Midline 1yr Warranty Hard Drive	507632-B21
HP 1TB 3G SATA 7.2K rpm LFF (3.5-inch) Midline 1yr Warranty Hard Drive	454146-B21
HP 500GB 3G SATA 7.2K rpm LFF (3.5-inch) Midline 1yr Warranty Hard Drive	458928-B21

SATA Non-Hot Plug LFF (3.5-inch) Midline (MDL) Drives

HP 2TB 3G SATA 7.2K rpm LFF (3.5-inch) Non-hot Plug Midline 1yr Warranty Hard Drive	507774-B21
HP 1TB 3G SATA 7.2K rpm LFF (3.5-inch) Non-hot Plug Midline 1yr Warranty Hard Drive	507772-B21
HP 500GB 3G SATA 7.2K rpm LFF (3.5-inch) Non-hot Plug Midline 1yr Warranty Hard Drive	458941-B21

SATA Hot Plug LFF (3.5-inch) Entry (ETY) Drives

HP 250GB 3G SATA 7.2K rpm LFF (3.5-inch) Entry 1yr Warranty Hard Drive	571230-B21
HP 160GB 3G SATA 7.2K rpm LFF (3.5-inch) Entry 1yr Warranty Hard Drive	458945-B21

SATA Non-Hot Plug LFF (3.5-inch) Entry (ETY) Drives

HP 250GB 3G SATA 7.2K rpm LFF (3.5-inch) Non-hot Plug Entry 1yr Warranty Hard Drive	571232-B21
HP 160GB 3G SATA 7.2K rpm LFF (3.5-inch) Non-hot Plug Entry 1yr Warranty Hard Drive	458947-B21

NOTE: Please see the QuickSpecs for Technical Specifications and additional information:

http://h18000.www1.hp.com/products/quickspecs/13021_div/13021_div.html
(Worldwide)

HP Networking

Gigabit Ethernet Adapters

HP NC112T PCIe Gigabit Server Adapter	503746-B21
HP NC360T PCI Express Dual Port Gigabit Server Adapter	412648-B21
HP NC364T PCI Express Quad Port Gigabit Server Adapter	435508-B21
HP NC365T 4-port Ethernet Server Adapter	593722-B21
HP NC373F PCI Express Multifunction Gigabit Server Adapter	394793-B21
HP NC373T PCI Express Multifunction Gigabit Server Adapter	394791-B21
HP NC375T PCI Express Quad Port Gigabit Server Adapter	538696-B21
HP NC382T PCIe Dual Port Multifunction Gigabit Server Adapter	458492-B21

10 Gigabit Ethernet Adapters

NOTE: No more than two 10GbE I/O devices are supported in a single ProLiant server.

NOTE: A minimum of two Gigabytes (2 GB) of server memory is required per each adapter.

NOTE: Direct Attach Cable (DAC) for copper environments or fiber transceivers and cables for fiber-optic environments must be purchased separately.

HP NC522SFP Dual Port 10GbE Server Adapter	468332-B21
HP NC523SFP 10Gb 2-port Server Adapter	593717-B21
HP NC550SFP Dual Port 10GbE Server Adapter	581201-B21

NOTE: Please see the QuickSpecs for Technical Specifications and additional information: www.hp.com/go/ProLiantNICs

Core Options

HP I/O Expansion Options	HP Dedicated iLO Management Port Option	514206-B21
	HP Non-Hot Plug Internal SAS/SATA 4 Port Cable Kit	487734-B21
	NOTE: SAS non-hot plug drives require the Non-Hot Plug Internal SAS/SATA 4 port Cable kit (P/N 487734-B21) and a HP SAS/Smart Array Controller.	
	HP PCI-X Expander Kit (2 x 64-bit 100MHz PCI-X slots)	488413-B21

HP Power Supplies	NOTE: Prior to making a power supply selection it is highly recommended that the HP Power Advisor is run to determine the right size power supply for your server configuration. The HP Power Advisor is located at: www.hp.com/go/hppoweradvisor .	
	HP 750W Common Slot Gold Hot Plug Power Supply Kit	512327-B21
	NOTE: The HP 750W power supply requires purchasing the Redundant Power Supply Enablement Kit (P/N 508544-B21).	
	Power Options	
	HP 5U G6 Redundant Power Supply Enablement Kit	508544-B21
	NOTE: The Redundant Power Supply Enablement kit does not integrate any power supply. Two (2) units of 750W power supply are required to achieve redundancy.	

HP Cooling Options	HP 5U G6 Redundant fan kit	513927-B21
	NOTE: Option Kits contain optional power supply, an IEC power cable and PDU IEC cables.	
	NOTE: If customer orders the standalone redundant fan option kit, he/she will receive two (2) fans in a two-fan packaged box. Only one (1) fan is required for system redundancy. The other one can be saved as a spare part. If customer orders the redundant fan kit along with the server, he/she will not be receiving the extra fan.	

Additional Options

NOTE: Some options may not be integrated at the factory. To ensure only valid configurations are ordered, HP recommends the use of an HP approved configurator. Contact your local sales representative for additional information.

HP Insight Software	HP Insight Control	
	HP Insight Control including 1yr 24x7 Technical Support and Updates Electronic License	T9074BAE
	HP Insight Control including 1yr 24x7 Support ProLiant ML/DL/BL-bundle Electronic License	TC278AAE
	HP Insight Control including 1yr 24x7 Technical Support and Updates Single Server License	452148-B22
	HP Insight Control including 1yr 24x7 Support ProLiant ML/DL/BL-bundle Tracking License	TC275A
	HP Insight Software Media Kit	436222-B21
	<p>NOTE: Insight Software DVD media without licenses. Contains HP Systems Insight Manager, HP Insight Control, HP Insight Dynamics, HP Insight Control for Microsoft System Center, and Virtual Connect Enterprise Manager software. Uses an integrated installer to perform quick and accurate software installation and updates.</p> <p>NOTE: Electronic and Flexible-Quantity licenses can be used to purchase multiple licenses with a single activation key.</p> <p>NOTE: Electronic software is available in all countries except China and Japan. Customers in China and Japan should order the physical equivalent.</p> <p>NOTE: Customer will receive a license entitlement certificate. The license entitlement certificate must be redeemed online or via fax in order to obtain the license activation key(s). Includes one year of 24 x 7 HP Software Technical Support and Update Service.</p> <p>NOTE: Licenses ship without media. The HP Insight Control Media Kit can be ordered separately, or can be downloaded at: http://www.hp.com/go/insightupdates.</p> <p>NOTE: For additional license options please see the Insight Control QuickSpecs at: http://h18000.www1.hp.com/products/quickspecs/12631_div/12631_div.html</p>	
	HP Insight Control for Linux	
	HP Insight Control for Linux including 1yr 24x7 Support Electronic License	TC213AAE
	HP Insight Control for Linux including 1yr 24x7 Support Single Server License	TC209A
	HP Insight Control for Linux Media Kit	TC208A
	<p>NOTE: Media pack DVD contains the ISO image for HP Insight Control for Linux, HP Systems Insight Manager, HP Insight Control power management, HP Insight Control virtual machine management, and an integrated installer. Servers must be acquired separately.</p> <p>NOTE: Licenses ship without media. The Media Kit for Insight Control for Linux can be ordered separately, or can be downloaded at: http://www.hp.com/go/ic-linux (click on Download button).</p> <p>NOTE: Electronic software is available in all countries except China and Japan. Customers in China and Japan should order the physical equivalent.</p> <p>NOTE: Electronic and Flexible-Quantity licenses can be used to purchase multiple licenses with a single set of activation keys.</p> <p>NOTE: For additional License Kits, including electronic licensing options, please see the QuickSpecs at: http://h18000.www1.hp.com/products/quickspecs/13019_div/13019_div.html</p>	
	HP Integrated Lights-Out (iLO) Advanced	
	HP iLO Advanced including 1yr 24x7 Technical Support and Updates Electronic License	TA850AAE
	HP iLO Advanced including 1yr 24x7 Technical Support and Updates Single Server License	512485-B21

Additional Options

NOTE: This license allows 1 server to be deployed and managed via HP iLO Advanced. Customer will receive a printed license entitlement certificate via physical shipment. The license entitlement certificate must be redeemed online or via fax in order to obtain the license activation key(s). Includes one year of 24 x 7 HP Software Technical Support Service.

NOTE: Electronic software is available in all countries except China and Japan. Customers in China and Japan should order the physical equivalent.

NOTE: For additional license kits, including electronic delivery options, please see the QuickSpecs at:

http://h18000.www1.hp.com/products/quickspecs/12362_div/12362_div.html

HP Insight Control server deployment

HP Insight Control Server Deployment including 1yr 24x7 Support Electronic License T9082AAE

HP Insight Control Server Deployment including 1yr 24x7 Support Single Server License 452151-B21

NOTE: Licenses ship without media. The Insight Control Media Kit can be ordered separately, or can be downloaded at:

<http://www.hp.com/go/insightupdates>.

NOTE: Electronic licenses can be used to purchase multiple licenses with a single activation key, and is available in all countries except China and Japan. Customers in China and Japan should order the physical equivalent.

NOTE: Customer will receive a license entitlement certificate, which must be redeemed online or via fax in order to obtain the license activation key(s). Includes one year of 24 x 7 HP Software Technical Support Service.

NOTE: For additional license kits please see the Insight Control QuickSpecs at: http://h18004.www1.hp.com/products/quickspecs/12631_div/12631_div.html

HP Security - TPM

HP Trusted Platform Module Option Kit 488069-B21

NOTE: The TPM (Trusted Platform Module) is a microcontroller chip that can securely store artifacts used to authenticate the server platform. These artifacts can include passwords, certificates and encryption keys. Windows® BitLocker™ Drive Encryption (BitLocker) is a data protection feature available in Windows Server® 2008. BitLocker leverages the enhanced security capabilities of a Trusted Platform Module (TPM) version 1.2. The TPM works with BitLocker to help protect user data and to ensure that a server running Windows Server 2008 has not been tampered with while the system was offline. For more information about TPM, including a white paper, go to: www.hp.com/go/TPM.

NOTE: ProLiant OS pre-installed units will come with the partition required for TPM deployment.

NOTE: The TPM key is unique to every TPM deployed server and must be retained. Misplacing or losing the key could result in data loss.

HP Storage Controllers SAS Controllers

NOTE: SAS non-hot plug drives require the Non-Hot Plug Internal SAS/SATA 4 port Cable kit (P/N 487734-B21) and a HP SAS/Smart Array Controller.

Smart Array P800 Controller

HP Smart Array P800/512 BBWC 2-ports Int/2-ports Ext PCIe x8 SAS Controller 381513-B21

Smart Array P212 Controller

HP Smart Array P212/ZM 1-ports Int/1-ports Ext PCIe x8 SAS Controller 462828-B21

HP Smart Array P212/256 1-ports Int/1-ports Ext PCIe x8 SAS Controller 462834-B21

Smart Array P410 Controller

NOTE: HP NHP Internal SAS/SATA 4 Port Cable Kit (487734-B21) is required when adding Smart Array P410 Controller on Non-Hot Plug SATA/SAS server models.



Additional Options

HP Smart Array P410/256 2-ports Int PCIe x8 SAS Controller	462862-B21
HP Smart Array P410/512 BBWC 2-ports Int PCIe x8 SAS Controller	462864-B21
HP Smart Array P410/512 FBWC 2-ports Int PCIe x8 SAS Controller	578230-B21
HP Smart Array P410/1G FBWC 2-ports Int PCIe x8 SAS Controller	572532-B21

Smart Array P411 Controller

HP Smart Array P411/256 2-ports Ext PCIe x8 SAS Controller	462830-B21
HP Smart Array P411/512 BBWC 2-ports Ext PCIe x8 SAS Controller	462832-B21
HP Smart Array P411/512 FBWC 2-ports Ext PCIe x8 SAS Controller	578229-B21
HP Smart Array P411/1G FBWC 2-ports Ext PCIe x8 SAS Controller	572531-B21

Smart Array P812 Controller

HP Smart Array P812/1G FBWC 2-ports Int/4-ports Ext PCIe x8 SAS Controller	487204-B21
--	------------

Upgrade Options

HP Mini SAS to Mini SAS 33in Cable Assembly	496014-B21
---	------------

NOTE: This cable option kit is needed to upgrade from hot plug SATA to hot plug SAS.

HP Hot Plug Internal SATA to Mini SAS Cable Kit	600732-B21
---	------------

NOTE: This cable needed when upgrade from non-hot plug SATA to hot plug SATA.

HP 256MB P-series Cache Upgrade	462968-B21
---------------------------------	------------

NOTE: Supported on HP Smart Array P212 and P410/ZM Controllers only.

HP 512MB P-Series Battery Backed Write Cache Upgrade	462967-B21
--	------------

HP 650 mAh P-Series Battery	462969-B21
-----------------------------	------------

NOTE: To enable BBWC on the 256MB cache.

NOTE: Supported on HP Smart Array P212, P410, and P411 Controllers only.

HP 8484 to Mini SAS 33in Cable Assembly	591734-B21
---	------------

NOTE: Cable used to connect the Smart Array P800 Controller to internal hard disk drives on selected HP ProLiant G6 Servers.

HP 512MB Flash Backed Write Cache	534916-B21
-----------------------------------	------------

HP 1GB Flash Backed Cache	534562-B21
---------------------------	------------

HP Smart Array Advanced Pack including 1yr 24x7 Technical Support and Updates Single Server License	516471-B21
---	------------

NOTE: This part number can be used to purchase a single license or to order multiple licenses with a single activation key. Customers will receive a license entitlement certificate via e-mail. The license entitlement certificate must be redeemed online or via fax in order to obtain the license activation key(s). Include one year of 24x7 HP Software Technical Support Services.

HP Smart Array Hot Plug Advance Pack for B110i w/1y 24x7 Supp Physical 1 Svr LTU	TC421A
--	--------

NOTE: Please see the following QuickSpecs additional information:

http://h18000.www1.hp.com/products/quickspecs/12616_div/12616_div.html
(Smart Array P800 Controller)

http://h18000.www1.hp.com/products/quickspecs/13203_div/13203_div.html
(Smart Array P212 Controller)

http://h18000.www1.hp.com/products/quickspecs/13201_div/13201_div.html
(Smart Array P410 Controller)

http://h18000.www1.hp.com/products/quickspecs/13202_div/13202_div.html
(Smart Array P411 Controller)

http://h18000.www1.hp.com/products/quickspecs/13558_div/13558_div.html
(Smart Array P812 Controller)

http://h18000.www1.hp.com/products/quickspecs/13200_div/13200_div.html
(Smart Array Advanced Pack)

http://h18000.www1.hp.com/products/quickspecs/13495_div/13495_div.html
(Smart Array Hot Plug Advance Pack for B110i)

Additional Options

SAS HBA

HP SC08Ge 2-ports Ext PCIe x8 SAS Host Bus Adapter 488765-B21

HP Modular Smart Array SC08e 2-ports Ext PCIe x8 SAS Host Bus Adapter 614988-B21

NOTE: This is a 2 x4 External Port HBA

NOTE: This is only approved for the HP StorageWorks P2000 G3 SAS Modular Smart Array.

NOTE: Please see the HBA QuickSpecs for additional information:

http://h18004.www1.hp.com/products/quickspecs/13082_div/13082_div.html
(SC08Ge HBA)

http://h18004.www1.hp.com/products/quickspecs/13651_div/13651_div.html
(SC08e 6Gb HBA)

SCSI HBA

HP SC11Xe Ultra320 Single Channel/ PCIe x4 SCSI Host Bus Adapter 412911-B21

NOTE: Recommended for SCSI tape drive connection.

NOTE: Please see the following QuickSpecs for additional information:

http://h18000.www1.hp.com/products/quickspecs/12566_div/12566_div.html
(SC11Xe HBA)

HP Backup & Recovery Data Protector Express Software

HP Data Protector Express V5.0 for 1 Server E-LTU TC330AAE

HP Data Protector Express V5.0 for 3 Servers E-LTU TC331AAE

HP Data Protector Express V5.0 for 10 Servers E-LTU TC332AAE

HP Basic Upgrade to Data Protector Express V5 for 1 Server E-LTU TC333AAE

NOTE: One of these Data Protector Express base products is required. To see available options: <http://www.hp.com/go/dataprotectorexpress>

Tape Backup

NOTE: For the complete range of StorageWorks tape drives, autoloaders, libraries and media see: <http://www.hp.com/go/tape>. For hardware and software compatibility of HP StorageWorks tape backup products see: <http://www.hp.com/go/connect>.

Rack-Mount Tape Solutions

HP StorageWorks DAT 160 SCSI Internal Tape Drive Q1573A

HP StorageWorks DAT 160 USB Internal Tape Drive Q1580A

HP StorageWorks DAT 320 USB Internal Tape Drive AJ825A

HP StorageWorks 1/8 G2 LTO-4 Ultrium 1760 SAS Tape Autoloader AK377A

NOTE: Requires HP 1U Tape Autoloader Rack Kit (AH166A) for rack installation.

HP StorageWorks DAT 320 SAS Internal Tape Drive AJ830A

NOTE: Recommended to use HP P212 SAS Smart Array Controller (462828-B21) for connection.

HP StorageWorks Ultrium 448 SAS Internal Drive DW085A

NOTE: Recommended to use HP P212 SAS Smart Array Controller (462828-B21) for connection.

HP StorageWorks Ultrium 920 SAS Internal Tape Drive EH847A

NOTE: Recommended to use HP P212 SAS Smart Array Controller (462828-B21) for connection.

HP StorageWorks LTO-4 Ultrium 1760 SAS Internal WW Tape Drive EH919A

NOTE: Recommended to use HP P212 SAS Smart Array Controller (462828-B21) for connection.

Additional Options

HP StorageWorks LTO-4 Ultrium 1840 SAS External WW Drive NOTE: Recommended to use HP P212 SAS Smart Array Controller (462828-B21) for connection.	EH861A
HP StorageWorks LTO-5 Ultrium 3000 SAS Internal Tape Drive NOTE: Recommended to use HP P212 SAS Smart Array Controller (462828-B21) for connection.	EH957A
HP StorageWorks LTO-5 Ultrium 3000 SAS External Tape Drive NOTE: Recommended to use HP P212 SAS Smart Array Controller (462828-B21) for connection.	EH958A
HP StorageWorks 1/8 G2 LTO-5 Ultrium 3000 SAS Tape Autoloader NOTE: Requires HP 1U Tape Autoloader Rack Kit (AH166A) for rack installation. NOTE: Recommended to use HP P212 SAS Smart Array Controller (462828-B21) for connection.	BL536A
HP StorageWorks MSL2024 1 LTO-4 Ultrium 1760 SAS Tape Library	AK378A
HP StorageWorks MSL2024 1 LTO-5 Ultrium 3000 SAS Tape Library NOTE: Recommended to use HP P212 SAS Smart Array Controller (462828-B21) for connection.	BL537A
HP StorageWorks MSL4048 2 LTO-4 Ultrium 1760 SAS Tape Library	AK380A
HP StorageWorks MSL4048 2 LTO-5 Ultrium 3000 SAS Tape Library NOTE: Recommended to use HP P212 SAS Smart Array Controller (462828-B21) for connection.	BL538A

Disk Backup

NOTE: For the complete range of StorageWorks D2D Backup Systems see: <http://www.hp.com/go/d2d>. For the complete range of StorageWorks RDX drives and media see: <http://www.hp.com/go/rdx>. For hardware and software compatibility of HP StorageWorks disk backup products see: <http://www.hp.com/go/connect>.

HP StorageWorks D2D Backup Systems with Backup Data Deduplication

HP StorageWorks D2D2502i Backup System NOTE: 1.5TB of useable network disk backup capacity. Network connected appliance with connectivity using the iSCSI protocol. If the server requires a hardware iSCSI initiator, the QLogic QLA4050 Host Bus Adapter is recommended.	EJ001B
--	--------

HP StorageWorks D2D2504i Backup System NOTE: 3.0TB of useable network disk backup capacity. Network connected appliance with connectivity using the iSCSI protocol. If the server requires a hardware iSCSI initiator, the QLogic QLA4050 Host Bus Adapter is recommended.	EJ002B
--	--------

HP StorageWorks D2D4112 Backup System NOTE: 9.0TB (expandable to 18.0TB) of useable network disk backup capacity. Fibre Channel SAN connected appliance. Direct server attach is not supported, requires connection via SAN fabric.	EH993B
---	--------

HP StorageWorks RDX Removable Disk Backup Systems USB

HP StorageWorks RDX160 Internal Removable Disk Backup System NOTE: 160GB of disk capacity per data cartridge.	AJ765A
---	--------

HP StorageWorks RDX320 Internal Removable Disk Backup System NOTE: For installation into 1U USB Rack-Mount Kit (A8007A). No peripheral bay available for drive installation into the server. 320GB of disk capacity per data cartridge.	AJ767A
---	--------

Additional Options

HP StorageWorks RDX500 Internal Removable Disk Backup System	AJ934A
NOTE: For installation into 1U USB Rack-Mount Kit (A8007A). No peripheral bay available for drive installation into the server. 500GB of disk capacity per data cartridge.	
HP StorageWorks RDX 1TB Internal Removable Disk Backup System	BV847A
NOTE: For installation into 1U USB Rack-Mount Kit (A8007A). No peripheral bay available for drive installation into the server. 1 TB of disk capacity per data cartridge.	

HP StorageWorks Options

StorageWorks SCSI HBA

HP StorageWorks U320e SCSI Dual Channel Host Bus Adapter	AH627A
NOTE: Recommended HBA for MSL SCSI Tape Library connect.	

HP Disk Storage Systems

MSA SAN Storage Arrays

HP StorageWorks 60 Modular Smart Array	418408-B21
--	------------

NOTE: Please see the QuickSpecs for additional options and configuration information at:

http://h18000.www1.hp.com/products/quickspecs/12627_div/12627_div.html

HP StorageWorks 70 Modular Smart Array	418800-B21
--	------------

NOTE: Please see the QuickSpecs for additional options and configuration information at:

http://h18000.www1.hp.com/products/quickspecs/12652_div/12652_div.html (Worldwide)

Disk Enclosures

HP StorageWorks D2600 Disk Enclosure	AJ940A
--------------------------------------	--------

HP StorageWorks D2700 Disk Enclosure	AJ941A
--------------------------------------	--------

NOTE: Please see the QuickSpecs for additional options and configuration information at:

http://h18000.www1.hp.com/products/quickspecs/13404_div/13404_div.html

HP Uninterruptible Power Systems

HP Tower UPS

HP T1000 G3 UPS Models

HP T1000 G3 1000VA NA Tower Uninterruptible Power System	AF448A
--	--------

HP T1000 G3 1000VA INTL Tower Uninterruptible Power System	AF449A
--	--------

HP T1000J JP Uninterruptible Power System	AF457A
---	--------

HP T1500 G3 UPS Models

HP T1500 G3 1400VA NA Tower Uninterruptible Power System	AF450A
--	--------

HP T1500 G3 1400VA INTL Tower Uninterruptible Power System	AF451A
--	--------

HP T1500J JP Uninterruptible Power System	AF458A
---	--------

NOTE: Please see the QuickSpecs for additional information:

http://h18000.www1.hp.com/products/quickspecs/13160_div/13160_div.html (Worldwide)

NOTE: For additional information on HP Uninterruptible Power Systems please go to: www.hp.com/products/ups.

NOTE: For additional information on sizing your server, please reference:

<http://www.upssizer.com>

NOTE: Please see the UPS and PDU cable matrix's on the HP Power Protection and Management page. Under Power Cords, click on the "HP Power Cord Matrix" link. That link will list cable descriptions, requirements, and specifications for UPS and PDU units. Please see the following link:

Additional Options

www.hp.com/products/powercords.

HP Rack Series

HP Rack 10000 G2 Series (Carbon/Graphite Metallic)

HP 10642 G2 Pallet Universal Rack

AF001A

HP 10642 G2 Shock Universal Rack

AF002A

NOTE: It is mandatory to use a shock pallet when shipping racks with equipment installed.

NOTE: Please see the QuickSpecs for Technical Specifications such as height, width, depth, weight, and color:

http://h18000.www1.hp.com/products/quickspecs/12402_div/12402_div.html
(Worldwide)

NOTE: For additional information regarding Rack Cabinets, please see the following URL: <http://www.hp.com/go/rackandpower>.

NOTE: The increasing power of new high-performance processor technology requires increased cooling efficiency for rack-mounted servers. The 10000 G2 Series Racks provide enhanced airflow for maximum cooling, allowing these racks to be fully loaded with servers using the latest processors.

CAUTION: If a third-party rack is used, observe the following additional requirements to ensure adequate airflow and to prevent damage to the equipment: Front and rear doors: If your 42U server rack includes closing front and rear doors, you must allow 830 square inches (5,350 sq cm) of hole evenly distributed from top to bottom to permit adequate airflow (equivalent to the required 64 percent open area for ventilation). Side: The clearance between the installed rack component and the side panels of the rack must be a minimum of 2.75 inches (7 cm).

CAUTION: Always use blanking panels to fill all remaining empty front panel U-spaces in the rack. This arrangement ensures proper airflow. Using a rack without blanking panels results in improper cooling that can lead to thermal damage.

NOTE: Quick deploy rail system provides tool-free support for racks with square or round mounting holes (including Compaq/HP 7000, 9000, 10000 G2 and HP series), with an adjustment range of 24" - 36". The ambidextrous cable management arm can be mounted on either the left or right side for improved cable management.

HP Rack Options

HP Server Console Switches

HP Server console switch 0x2x8

AF616A

HP Server console switch 0x2x16

AF617A

NOTE: Please see the QuickSpecs for Technical Specifications and additional information:

http://h18000.www1.hp.com/products/quickspecs/11834_div/11834_div.html
(Worldwide)

HP Server Console Switch G2 with Virtual Media & CAC

0x2x16 KVM Server Console G2 Switch with Virtual Media and CAC

AF618A

0x2x32 KVM Server Console G2 Switch with Virtual Media and CAC

AF619A

NOTE: Please see the QuickSpecs for Technical Specifications and additional information:

http://h18000.www1.hp.com/products/quickspecs/13475_div/13475_div.html
(Worldwide)

HP IP Console Switch G2 with Virtual Media & CAC

1x1Ex8 KVM IP Console Switch G2 with Virtual Media and CAC

AF620A

2x1Ex16 KVM IP Console Switch G2 with Virtual Media and CAC

AF621A



Additional Options

4x1Ex32 KVM IP Console Switch G2 with Virtual Media and CAC AF622A

NOTE: Please see the QuickSpecs for Technical Specifications and additional information:

http://h18000.www1.hp.com/products/quickspecs/13474_div/13474_div.html
(Worldwide)

Rack Kit

HP Tower to Rack Conversion Tray Universal Kit 417705-B21

HP USB and SD Options

HP USB 2-Button Optical Scroll Mouse (Carbonite/Silver) DC172B

HP USB 04 Standard Keyboard DT528A#ABA

HP 4GB Secure Digital Flash Media Kit 580387-B21

NOTE: Blank SD media device is supported for use with VMware and Citrix. SD media must be installed in the internal slot of the ProLiant server. Learn more at: <http://www.hp.com/go/proliantvirtualization>.

HP 2GB USB Flash Media Drive Key 608447-B21

NOTE: HP qualified blank USB key for use with HP ProLiant servers that support the VMware virtualization environment and other HP value-add software like SmartStart. HP recommends this industry standard USB flash device for use with VMware ESXi. USB device must be installed in the internal slot of the ProLiant server for use with VMware ESXi. Refer to [HP VMware Getting Started Guide](#) for installation instructions.

HP Care Pack Services Hardware Services

Next Day Service, 3 Year UM870E

4-Hour Service, 5-Day x 13-Hour Coverage, 3 Years UM872E

4-Hour Service, 7-Day x 24-Hour Coverage, 3Years UM874E

6-Hour Call to Repair, Service, 7-Day x 24-Hour Coverage, 3 Year UM876E

Other Services

4-Hour Service, 5-Day x 13-Hour Coverage, 4 Years UM880E

4-Hour Service, 7-Day x 24-Hour Coverage, 4Years UM882E

4-Hour Service, 5-Day x 13-Hour Coverage, 5 Years UM888E

4-Hour Service, 7-Day x 24-Hour Coverage, 5Years UM890E

Support Plus

Support Plus, MS, 3Years UM894E

NOTE: For more information, customer/resellers can contact:

<http://www.hp.com/services/carepack>

Memory

NOTE: Memory configurations listed do not apply to "Factory Integrated Models".

DDR3 memory population guidelines

For detailed memory configuration rules and guidelines, please use the Online DDR3 Memory Configuration Tool:

www.hp.com/go/ddr3memory-configurator

Some DIMM installation guidelines are summarized below:

- For servers with eighteen (18) memory slots:
 - There are three (3) channels per processor; six (6) channels per server
 - There are three (3) DIMM slots for each memory channel; eighteen (18) total slots
 - Memory channel 1 consists of the three (3) DIMMs that are closest to the processor
 - Memory channel 3 consists of the three (3) DIMMs that are furthest from the processor
- DIMM slots that are white should be populated first
- Do not mix Unbuffered memory (UDIMMs) with Registered memory (RDIMMs)
- Do not install DIMMs if the corresponding processor is not installed
- If only one processor is installed in a 2CPU system, only half of the DIMM slots are available
- To maximize performance, balance the total memory capacity between all installed processors
- It is not required, but it is recommended to load the channels similarly if possible
- If any Quad rank DIMMs are installed, all channels are limited to only 2 DIMMs per channel.
- You can only install two quad-rank DIMMs per channel
- You can only install two UDIMMs per channel; if available, the third slot in the channel must remain empty
- Populate DIMMs from heaviest load (quad-rank) to lightest load (single-rank) within a channel
- Heaviest load (DIMM with most ranks) within a channel goes furthest from the chipset
- For memory mirroring mode, channel 3 must be unpopulated. Channels 1 and 2 are populated identically
- For lock-step mode, channel 3 must be unpopulated. DIMMs in channels 1 and 2 will be installed in pairs. The paired slots will be 1,4; 2,5; 3,6 on a 3DPC system or 1,4; 2,5; on a 2DPC system
- Low Voltage DIMMs can only be used with Intel® Xeon® processor 5600 series processors
- If mixing DIMM voltage is a requirement, please note that the DIMMs will run at 1.5V since all 1.35V are capable of supporting 1.5V operations

DIMM slot/capacity/populated speed table										
DIMM Type	Registered DIMMS (RDIMMs)							Unbuffered with ECC DIMMs (UDIMMs)		
	Single Rank (1R)	Dual Rank (2R)				Quad Rank (4R)		Single Rank (1R)	Dual Rank (2R)	
DIMM Capacity	4GB	2GB	4GB	8GB	8GB	4GB	16GB	1GB	2GB	4GB
DIMM Native Speed (MHz)	1333	1333	1333	1066	1333	1066	1066	1333	1333	1333
Voltage	LV/Reg	Reg	Reg	Reg	LV/Reg	Reg	Reg	Reg	Reg	Reg
SLOTS THAT CAN BE POPULATED										
18 slot servers	18	18	18	18	18	12	12	12	12	12
MAXIMUM CAPACITY (GB)										
	72	36	72	144	144	48	192	12	24	48
POPULATED DIMM SPEED (MHz)										
1 DIMM Per Channel	1333	1333	1333	1066	1333	1066	1066	1333	1333	1333
2 DIMM Per Channel	1333*	1333*	1333*	1066	1333*	800	800	1333	1333	1333*
3 DIMM Per Channel	800	800	800	800	800	n/a	n/a	n/a	n/a	n/a

NOTES:



Memory

- PC3-10600 DIMMs have a maximum speed of 1333MHz. PC3-8500 DIMMs have a maximum speed of 1066MHz
- Mixing DIMM speeds is allowed, but the system processor speed rules always override the DIMM capabilities
- If you do mix DIMM speeds, the memory bus will default to the minimum clock rate of all DIMMs in the system - even if the slower DIMM is on the other processor
- If you install 1x 1066MHz DIMM in channel 1 and 1x 1333MHz DIMM in channel 2, the maximum speed will be 1066MHz If you install 1x 1066MHz DIMM in channel 1 and 5x 1333MHz DIMMs with 1 DIMM Per Channel (DPC) in each of the other channels, the maximum speed will be 1066MHz
- If you install 1x 1066MHz DIMM in channel 1 and 5x 1333MHz DIMMs with 1 DIMM Per Channel (DPC) in each of the other channels, you run at 1066MHz
- If you install 3DPC in one channel (if applicable) and 1DPC in all other channels, you run at 800MHz
- Maximum memory speed will also depend on the processor installed. References to the above MHz speeds are for the various speeds of DDR3 DIMMs; 1333 refers to DDR3-1333, etc.

DIMM slot and configuration diagrams

Basic memory slot & population diagram

- Population order; start with "A" first, "B" second, "C" third, etc.

18 DIMM SLOTS (9 per CPU node)					
	CPU1		CPU2		
	slot #	population order	slot #	population order	
Chnl 0	1	G	1	G	Chnl 0
	2	D	2	D	
	3	A	3	A	
Chnl 1	4	H	4	H	Chnl 1
	5	E	5	E	
	6	B	6	B	
Chnl 2	7	I	7	I	Chnl 2
	8	F	8	F	
	9	C	9	C	

Standard memory configuration (1 CPU model)

- 4GB, consisting of two (2) 2GB dual-rank PC3-10600 RDIMMs (Base model)

	CPU1		CPU2		
	slot #	population order	slot #	population order	
Chnl 1	1	G; empty	1	G; empty	Chnl 1
	2	D; empty	2	D; empty	
	3	A; 2GB RDIMM	3	A; empty	
Chnl 2	4	H; empty	4	H; empty	Chnl 2
	5	E; empty	5	E; empty	
	6	B; 2GB RDIMM	6	B; empty	
Chnl 3	7	I; empty	7	I; empty	Chnl 3
	8	F; empty	8	F; empty	
	9	C; empty	9	C; empty	

Memory

Standard memory plus optional memory (1 CPU model)

- 60GB, consisting of two (2) 2GB RDIMMs plus seven (7) 8GB RDIMMs
 - 2x 2GB dual-rank PC3-10600 RDIMMs
 - 7x 8GB dual-rank PC3-8500 RDIMMs

	CPU1		CPU2		
	slot #	population order	slot #	population order	
Chnl 1	1	G; 8GB RDIMM	1	G; empty	Chnl 1
	2	D; 8GB RDIMM	2	D; empty	
	3	A; 2GB RDIMM	3	A; empty	
Chnl 2	4	H; 8GB RDIMM	4	H; empty	Chnl 2
	5	E; 8GB RDIMM	5	E; empty	
	6	B; 2GB RDIMM	6	B; empty	
Chnl 3	7	I; 8GB RDIMM	7	I; empty	Chnl 3
	8	F; 8GB RDIMM	8	F; empty	
	9	C; 8GB RDIMM	9	C; empty	

Standard memory replaced with optional memory (1 CPU model)

RDIMM maximum configuration

- 96GB, consisting of six (6) 16GB dual-rank PC3-8500 RDIMMs

	CPU1		CPU2		
	slot #	population order	slot #	population order	
Chnl 1	1	G; empty	1	G; empty	Chnl 1
	2	D; 16GB RDIMM	2	D; empty	
	3	A; 16GB RDIMM	3	A; empty	
Chnl 2	4	H; empty	4	H; empty	Chnl 2
	5	E; 16GB RDIMM	5	E; empty	
	6	B; 16GB RDIMM	6	B; empty	
Chnl 3	7	I; empty	7	I; empty	Chnl 3
	8	F; 16GB RDIMM	8	F; empty	
	9	C; 16GB RDIMM	9	C; empty	

UDIMM maximum configuration (1 CPU model)

- 24GB, consisting of six (6) 4GB dual-rank PC3-10600 UDIMMs

Memory

	CPU1		CPU2		
	slot #	population order	slot #	population order	
Chnl 1	1	G; empty	1	G; empty	Chnl 1
	2	D; 4GB UDIMM	2	D; empty	
	3	A; 4GB UDIMM	3	A; empty	
Chnl 2	4	H; empty	4	H; empty	Chnl 2
	5	E; 4GB UDIMM	5	E; empty	
	6	B; 4GB UDIMM	6	B; empty	
Chnl 3	7	I; empty	7	I; empty	Chnl 3
	8	F; 4GB UDIMM	8	F; empty	
	9	C; 4GB UDIMM	9	C; empty	

Standard memory replaced with optional memory (2 CPU model) RDIMM maximum configuration

- 192GB, consisting of eighteen (12) 16GB dual-rank PC3-8500 RDIMMs

	CPU1		CPU2		
	slot #	population order	slot #	population order	
Chnl 1	1	G; empty	1	G; empty	Chnl 1
	2	D; 16GB RDIMM	2	D; 16GB RDIMM	
	3	A; 16GB RDIMM	3	A; 16GB RDIMM	
Chnl 2	4	H; empty	4	H; empty	Chnl 2
	5	E; 16GB RDIMM	5	E; 16GB RDIMM	
	6	B; 16GB RDIMM	6	B; 16GB RDIMM	
Chnl 3	7	I; empty	7	I; empty	Chnl 3
	8	F; 16GB RDIMM	8	F; 16GB RDIMM	
	9	C; 16GB RDIMM	9	C; 16GB RDIMM	

UDIMM maximum configuration (2 CPU model)

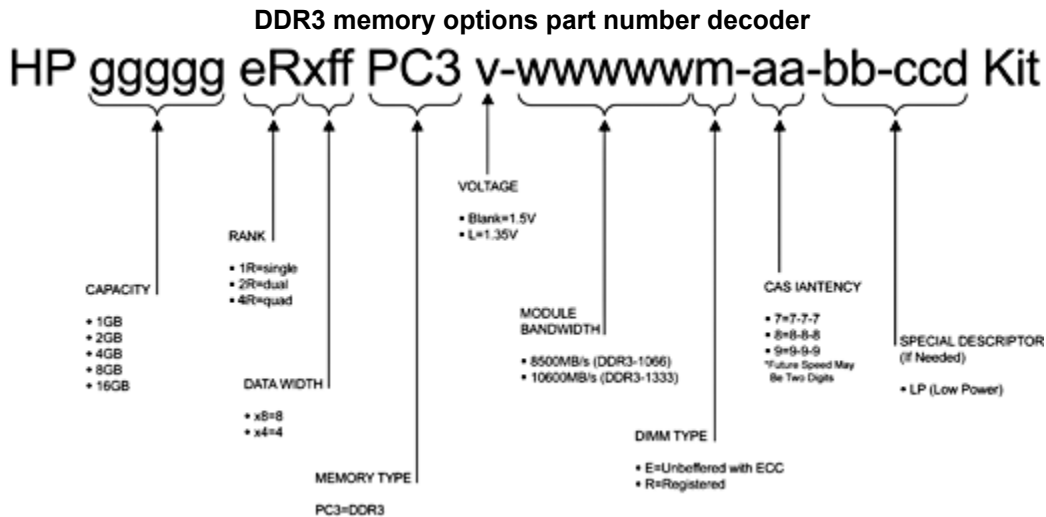
- 48GB, consisting of twelve (12) 4GB dual-rank PC3-10600 UDIMMs

	CPU1		CPU2		
	slot #	population order	slot #	population order	
Chnl 1	1	G; empty	1	G; empty	Chnl 1
	2	D; 4GB UDIMM	2	D; 4GB UDIMM	
	3	A; 4GB UDIMM	3	A; 4GB UDIMM	
Chnl 2	4	H; empty	4	H; empty	Chnl 2
	5	E; 4GB UDIMM	5	E; 4GB UDIMM	
	6	B; 4GB UDIMM	6	B; 4GB UDIMM	
Chnl 3	7	I; empty	7	I; empty	Chnl 3
	8	F; 4GB UDIMM	8	F; 4GB UDIMM	
	9	C; 4GB UDIMM	9	C; 4GB UDIMM	

Memory

NOTE: Capacity references are rounded to the common Gigabyte values.

- 1GB = 1024MB
- 2GB = 2048MB
- 4GB = 4096MB
- 8GB = 8192MB



Following are memory options available from HP:

HP Memory

Registered DIMMs (RDIMMs)

HP 2GB (1x2GB) Dual Rank x8 PC3-10600 (DDR3-1333) Registered CAS-9 Memory Kit 500656-B21

HP 4GB (1x4GB) Dual Rank x4 PC3-10600 (DDR3-1333) Registered CAS-9 Memory Kit 500658-B21

HP 4GB (1x4GB) Single Rank x4 PC3-10600 (DDR3-1333) Registered CAS-9 Memory Kit 593339-B21

HP 4GB (1x4GB) Single Rank x4 PC3L-10600 (DDR3-1333) Registered CAS-9 Low Power Memory Kit 604504-B21

NOTE: Low Voltage DIMMs can only be used with Intel® Xeon® processor 5600 series processors.

HP 8GB (1x8GB) Dual Rank x4 PC3-10600 (DDR3-1333) Registered CAS-9 Memory Kit 500662-B21

HP 8GB (1x8GB) Dual Rank x4 PC3L-10600 (DDR3-1333) Registered CAS-9 Low Power Memory Kit 604506-B21

NOTE: Low Voltage DIMMs can only be used with Intel® Xeon® processor 5600 series processors.

HP 16GB (1x16GB) Quad Rank x4 PC3-8500 (DDR3-1066) Registered CAS-7 Memory Kit 500666-B21

Unbuffered with ECC DIMMs (UDIMMs)

HP 1GB (1x1GB) Single Rank x8 PC3-10600 (DDR3-1333) Unbuffered CAS-9 Memory Kit 500668-B21

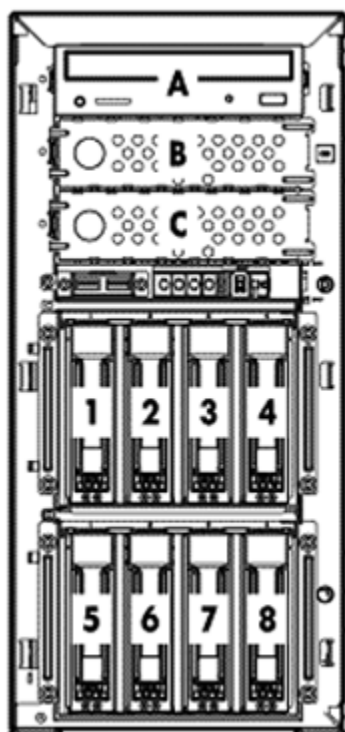
HP 2GB (1x2GB) Dual Rank x8 PC3-10600 (DDR3-1333) Unbuffered CAS-9 Memory Kit 500670-B21

HP 4GB (1x4GB) Dual Rank x8 PC3-10600 (DDR3-1333) Unbuffered CAS-9 Memory Kit 500672-B21

NOTE: For detailed memory configuration rules and guidelines, please use the Online DDR3 Memory Configuration Tool: www.hp.com/go/ddr3memory-configurator.

NOTE: PC3L is a low voltage memory.

Storage



A Optical Drive

B,C Removable Media Bays (2)- 1 full-height drive or 2 half-height drives

1-4 4 x 3.5" (LFF) Hot plug or Non hot-plug SATA/SAS hard drive bays (Standard)

5-8 4 x 3.5" (LFF) Hot plug SATA/SAS hard drive bays (Optional)

Drive Support

	Quantity Supported	Position Supported	Controller
Removable Media			
SATA DVD-ROM Optical Drive	Up to 2	A, B	Integrated SAS Controller
SATA DVD RW Optical Drive	Up to 2	A, B	Integrated SATA Controller

Hard Drives

NOTE: Transfer rates of drives are dependent on the maximum transfer rate supported by the HBA or Controller. Refer to the HBA or Controller technical specifications for details.

NOTE: Hard drives have either a one year or three year warranty; refer to the specific hard drive QuickSpecs for details.

NOTE: Supports up to Eight (8) SAS/SATA hard drives via 2nd Hot plug Hard Disk Drive module option kit and HP Smart Array P410 Controller.

SAS Hot Plug LFF (3.5-inch) Enterprise (ENT) Drives

	Quantity Supported	Position Supported	Controller
600GB 6G SAS 15K DP	Up to 8	1-8	HP Smart Array P800/512 BBWC Controller
450GB 6G SAS 15K DP			HP Smart Array P212/Zero Memory Controller
300GB 6G SAS 15K DP			HP Smart Array P212/ 256 MB Controller
			HP Smart Array P410/256 MB Controller
			HP Smart Array P410/512 MB BBWC Controller
			HP Smart Array P410/512 MB FBWC Controller
			HP Smart Array P410/1G FBWC Controller
			HP Smart Array P411/256 MB Controller
			HP Smart Array P411/512 MB BBWC Controller
	HP Smart Array P411/512 MB FBWC Controller		

Storage

HP Smart Array P411/1G FBWC Controller
 HP Smart Array P812/1G Flash Backed Cache Controller

SAS Non-Hot Plug LFF (3.5-inch) Enterprise (ENT) Drives

	Quantity Supported	Position Supported	Controller
600GB 6G SAS 15K DP	Up to 8	1-8	HP Smart Array P800/512 BBWC Controller
450GB 6G SAS 15K DP			HP Smart Array P212/Zero Memory Controller
300GB 6G SAS 15K DP			HP Smart Array P212/ 256 MB Controller
			HP Smart Array P410/256 MB Controller
			HP Smart Array P410/512 MB BBWC Controller
			HP Smart Array P410/512 MB FBWC Controller
			HP Smart Array P410/1G FBWC Controller
			HP Smart Array P411/256 MB Controller
			HP Smart Array P411/512 MB BBWC Controller
			HP Smart Array P411/512 MB FBWC Controller
			HP Smart Array P411/1G FBWC Controller
			HP Smart Array P812/1G Flash Backed Cache Controller

SAS Hot Plug LFF (3.5-inch) Midline (MDL) Drives

	Quantity Supported	Position Supported	Controller
2TB 6G SAS 7.2K DP	Up to 8	1-8	HP Smart Array P800/512 BBWC Controller
1TB 6G SAS 7.2K DP			HP Smart Array P212/Zero Memory Controller
			HP Smart Array P212/ 256 MB Controller
			HP Smart Array P410/256 MB Controller
			HP Smart Array P410/512 MB BBWC Controller
			HP Smart Array P410/512 MB FBWC Controller
			HP Smart Array P410/1G FBWC Controller
			HP Smart Array P411/256 MB Controller
			HP Smart Array P411/512 MB BBWC Controller
			HP Smart Array P411/512 MB FBWC Controller
			HP Smart Array P411/1G FBWC Controller
			HP Smart Array P812/1G Flash Backed Cache Controller

NOTE: Transfer rates of drives are dependent on the maximum transfer rate supported by the HBA or Controller. Refer to the HBA or Controller technical specifications for details.

SATA Hot Plug LFF (3.5-inch) Midline (MDL) Drives

	Quantity Supported	Position Supported	Controller
2TB 3G SATA 7.2K	Up to 8	1-8	HP Smart Array P800/512 BBWC Controller
1TB 3G SATA 7.2K			HP Smart Array P212/Zero Memory Controller
500GB 3G SATA 7.2K			HP Smart Array P212/ 256 MB Controller
			HP Smart Array P410/256 MB Controller
			HP Smart Array P410/512 MB BBWC Controller
			HP Smart Array P410/512 MB FBWC Controller
			HP Smart Array P410/1G FBWC Controller
			HP Smart Array P411/256 MB Controller
			HP Smart Array P411/512 MB BBWC Controller
			HP Smart Array P411/512 MB FBWC Controller
			HP Smart Array P411/1G FBWC Controller
			HP Smart Array P812/1G Flash Backed Cache Controller
	HP Smart Array Hot Plug Advance Pack for B110i		

Storage

SATA Non-Hot Plug LFF (3.5-inch) Midline (MDL) Drives

	Quantity Supported	Position Supported	Controller
2TB 3G SATA 7.2K	Up to 4	1-4	Embedded Smart Array B110i SATA RAID Controller
1TB 3G SATA 7.2K			HP Smart Array P800/512 BBWC Controller
500GB 3G SATA 15K			HP Smart Array P212/Zero Memory Controller
			HP Smart Array P212/ 256 MB Controller
			HP Smart Array P410/256 MB Controller
			HP Smart Array P410/512 MB BBWC Controller
			HP Smart Array P410/512 MB FBWC Controller
			HP Smart Array P410/1G FBWC Controller
			HP Smart Array P411/256 MB Controller
			HP Smart Array P411/512 MB BBWC Controller
			HP Smart Array P411/512 MB FBWC Controller
			HP Smart Array P411/1G FBWC Controller
			HP Smart Array P812/1G Flash Backed Cache Controller

SATA Hot Plug LFF (3.5-inch) Entry (ETY) Drives

	Quantity Supported	Position Supported	Controller
250GB 3G SATA 7.2K	Up to 8	1-8	HP Smart Array P800/512 BBWC Controller
160GB 3G SATA 7.2K			HP Smart Array P212/Zero Memory Controller
			HP Smart Array P212/ 256 MB Controller
			HP Smart Array P410/256 MB Controller
			HP Smart Array P410/512 MB BBWC Controller
			HP Smart Array P410/512 MB FBWC Controller
			HP Smart Array P410/1G FBWC Controller
			HP Smart Array P411/256 MB Controller
			HP Smart Array P411/512 MB BBWC Controller
			HP Smart Array P411/512 MB FBWC Controller
			HP Smart Array P411/1G FBWC Controller
			HP Smart Array P812/1G Flash Backed Cache Controller

SATA Non-Hot Plug LFF (3.5-inch) Entry (ETY) Drives

	Quantity Supported	Position Supported	Controller
250GB 3G SATA 15K	Up to 4	1-4	Embedded Smart Array B110i SATA RAID Controller
160GB 3G SATA 15K			HP Smart Array P800/512 BBWC Controller
			HP Smart Array P212/Zero Memory Controller
			HP Smart Array P212/ 256 MB Controller
			HP Smart Array P410/256 MB Controller
			HP Smart Array P410/512 MB BBWC Controller
			HP Smart Array P410/512 MB FBWC Controller
			HP Smart Array P410/1G FBWC Controller
			HP Smart Array P411/256 MB Controller
			HP Smart Array P411/512 MB BBWC Controller
			HP Smart Array P411/512 MB FBWC Controller
			HP Smart Array P411/1G FBWC Controller
			HP Smart Array P812/1G Flash Backed Cache Controller

Storage

NOTE: To support 8 drives, the purchase of the optional HP HDD cage and possibly purchase a second SATA/SAS controller are required.

NOTE: SAS non-hot plug drives require the Non-Hot Plug Internal SAS/SATA 4 port Cable kit (P/N 487734-B21) and a HP SAS/Smart Array Controller.

NOTE: Hot Plug SATA/SAS model and Non-hot plug SAS model requires A HP SAS Controller.

Maximum Storage Capacity - SAS Models

Internal	16.0TB (8 x 2TB SAS hard drives)
Total	16.0TB (8 x 2TB SAS hard drives)

Maximum Storage Capacity - SATA Models

Internal	16.0TB (8 x 2TB SATA drives)
Total	16.0TB (8 x 2TB SATA drives)

External Storage

	Quantity Supported	Position Supported	Host Controller or Adapter
D2700 Disk Enclosure	Up to 2 Up to 4	External	HP Smart Array P212/ 256 MB Controller HP Smart Array P411/256 MB Controller HP Smart Array P411/512 MB BBWC Controller HP Smart Array P411/512 MB FBWC Controller HP Smart Array P411/1G FBWC Controller

Tape and Disk Backup

NOTE: For the complete range of StorageWorks tape drives, autoloaders, libraries and media, including the internal fitting models, see: <http://www.hp.com/go/tape>. For the complete range of StorageWorks D2D Backup Systems see: <http://www.hp.com/go/d2d>. For the complete range of StorageWorks RDX drives and media see: <http://www.hp.com/go/rdx>. For hardware and software compatibility of HP StorageWorks disk and tape backup products see: <http://www.hp.com/go/connect>.

	Position Supported	Controller	Controller/HBA Option Kit Part Number
HP StorageWorks SCSI Tape Drives LTO-1 Ultrium 232 LTO-2 Ultrium 448 LTO-3 Ultrium 920 LTO-3 Ultrium 960 LTO4 Ultrium 1760 LTO-4 Ultrium 1840 DAT 40 DAT 72 DAT 160	Internal or External	HP SC11Xe Ultra320 Single Channel/ PCIe x4 SCSI Host Bus Adapter HP StorageWorks U320e SCSI Dual Channel Host Bus Adapter	412911-B21 AH627A
HP StorageWorks SCSI Rack Mount Kits 1U Rack-Mount Kit 3U Rack-Mount Kit	External	HP SC11Xe Ultra320 Single Channel/ PCIe x4 SCSI Host Bus Adapter	412911-B21

NOTE: Please check the full compatibility information at: <http://www.hp.com/go/connect>

Storage

HP StorageWorks USB Tape Drives DAT 40 DAT 72 DAT 160 DAT 320	Internal or External	USB 2.0 Port	N/A
HP StorageWorks USB Rack Mount Kits 1U USB Rack-Mount Kit	External	USB 2.0 Port	N/A
HP StorageWorks SAS Tape Drives DAT 160 DAT 320 LTO-2 Ultrium 448 LTO-3 Ultrium 920 LTO-4 Ultrium 1760 LTO-4 Ultrium 1840 LTO-5 Ultrium 3000 LTO-5 Ultrium 3280	Internal or External	HP Smart Array P212/ZM 1-ports Int/1-ports Ext PCIe x8 SAS Controller NOTE: Please check the full compatibility information at: http://www.hp.com/go/connect	462828-B21
HP StorageWorks SAS Rack Mount Kits 1U Rack-Mount Kit 3U Rack-Mount Kit	External	HP Smart Array P212/ZM 1-ports Int/1-ports Ext PCIe x8 SAS Controller NOTE: Please check the full compatibility information at: http://www.hp.com/go/connect	462828-B21
HP StorageWorks SCSI Tape Autoloaders, External DAT 72x10 Autoloader 1/8 G2 Autoloader	External	HP SC11Xe Ultra320 Single Channel/ PCIe x4 SCSI Host Bus Adapter HP StorageWorks U320e SCSI Dual Channel Host Bus Adapter NOTE: Please check the full compatibility information at: http://www.hp.com/go/connect	412911-B21 AH627A
HP StorageWorks SCSI Tape Libraries, External MSL2024 MSL4048 MSL8096 MSL6000	External	HP StorageWorks U320e SCSI Dual Channel Host Bus Adapter NOTE: Please check the full compatibility information at: http://www.hp.com/go/connect	AH627A
HP StorageWorks SAS Tape Autoloaders and Libraries, External 1/8 G2 Autoloader MSL2024 MSL4048 MSL8096	External	HP Smart Array P212/ZM 1-ports Int/1-ports Ext PCIe x8 SAS Controller NOTE: Please check the full compatibility information at: http://www.hp.com/go/connect	462828-B21

Storage

HP StorageWorks Fibre Channel Tape Libraries MSL2024 MSL4048 MSL8096 MSL6000	External	Please consult the EBS connectivity matrix at: http://www.hp.com/go/ebs for connectivity information and the supported Fibre Channel HBAs shown in this QuickSpec.	
HP StorageWorks USB RDX Removable Disk Backup System RDX160 RDX320 RDX500 RDX750 RDX1TB	Internal or External	USB 2.0 port	N/A
HP StorageWorks D2D Backup Systems, iSCSI D2D2500i D2D4000i	External	Embedded Network Controller. If the server requires a hardware iSCSI initiator, the QLogic QLA4050 Host Bus Adapter is recommended.	
HP StorageWorks D2D Backup Systems, Fibre Channel D2D4000fc	External	Direct server attach is not supported, requires connection via SAN fabric. See: http://www.hp.com/go/connect	

Power Specifications

HP 460W Factory Integrated Power Supply Kit	500447-B21					
Operational Input Voltage Range (Vrms)	90 to 135					
Frequency Range (Nominal) (Hz)	47 to 66 Hz					
Nominal Input Voltage (Vrms)	100	115	208	220	230	240
Max Rated Output Wattage Rating	460	460	460	460	460	460
Nominal Input Current (A rms)	10	10	5	5	5	5
Max Rated Input Wattage Rating (Watts)	760	760	700	700	700	700
Max. Rated VA (Volt-Amp)	850	850	830	830	830	830
Efficiency (%)	65	65	65	65	65	65
Power Factor	0.9	0.9	0.9	0.9	0.9	0.9
Leakage Current (mA)	3.5	3.5	3.5	3.5	3.5	3.5
Maximum Inrush Current (A peak)	450	450	450	450	450	450
Maximum Inrush Current duration (mS)						

HP 750W Common Slot Gold Hot Plug Power Supply Kit							
Part Number	512327-B21						
Input Voltage Range (V rms)	100 to 240						
Frequency Range (Nominal) (Hz)	50/60						
Nominal Input Voltage (Vrms)	100	120	200	208	220	230	240
Maximum Rated Output Wattage Rating	750	750	750	750	750	750	750
Nominal Input Current (A rms)	8.9	7.4	4.3	4.1	3.9	3.7	3.6
Maximum Rated Input Wattage Rating (Watts)	857	847	824	824	820	820	820
Maximum Rated VA (Volt-Amp)	894	884	859	854	854	854	
Efficiency (%)	87.5	88.5	91	91	91.5	91.5	91.5
Power Factor	0.97						
Leakage Current (mA)	0.42	0.50	0.83	0.87	0.92	0.96	1.00
Maximum Inrush Current (A peak)	30						
Maximum Inrush Current duration (mS)	20						
Maximum British Thermal Unit Rating (BTU-Hr)	2925	2892	2812	2812	2797	2797	2797

NOTE: It is highly recommended that you use the HP Power Advisor in defining the "Right-Size" power supply for your need. The HP Power Advisor is located at: www.hp.com/go/proliant-energy-efficient or www.hp.com/go/hppoweradvisor

Technical Specifications

System Unit	Dimensions (H x W x D) (W/O foot stand)	7.87 x 16.81 x 24.13 in (200 x 427 x 613 mm)
	Weight (approximate)	<p>Maximum: 66.14 lb (30 kg) (All hard drives, power supplies and processors installed)</p> <p>Minimum: 35.27 lb (16 kg) (One hard drive, power supply and processor installed)</p>
	Input Requirements (per power supply)	<p>Rated Line Voltage 100 to 240 VAC</p> <p>Rated Input Current 7.1 Amps (at 120VAC) to 3.5 Amps (at 240 VAC)</p> <p>Rated Input Frequency 50 to 60 Hz</p> <p>Rated Input Power 852 W</p>
	BTU Rating	<p>Maximum 460W - 1773 BTU / hr (at 120 VAC), 1715 (at 240 VAC)</p> <p>750W - 2892 BTU / hr (at 120 VAC), 2797 (at 240 VAC)</p> <p>1200W - 3530 BTU / hr (at 120 VAC), 4600 (at 240 VAC)</p>
	Power Specifications	<p>To review typical system power ratings use the Power Calculator which is available via the online tool located at URL: www.hp.com/go/proliant-energy-efficient or www.hp.com/go/hppoweradvisor</p> <p>- Click on the system of interest. Example: ML330 G6</p> <p>- Follow the instructions of the next screens.</p>
	Power Supply Output (per power supply)	<p>Rated Steady-State Power 460 (750) W (at 100 VAC), 460 (750) W (at 200 VAC)</p> <p>Maximum Peak Power 460 (750) W (at 100 VAC), 460 (750) W (at 200 VAC)</p> <p>NOTE: See Power Supply Specifications tables for complete details on 460W PSU and optional 750W.</p>
	System Inlet Temperature	<p>Operating 50° to 95° F (10° to 35° C) at sea level with an altitude derating of 1.8°F per 1,000 ft (1.0° C per every 305 m) above seal level to a maximum of 10,000 ft (3050 m) no direct sustained sunlight . Maximum rate of change is 18°F/hr (10°C/hr). The upper limit may be limited by the type and number of options installed. System performance may be reduced if operating with a fan fault or above 86°F (30°C).</p> <p>Non-Operating -22° to 140° F (-30° to 60° C)</p>
	Relative Humidity (non-condensing)	<p>Operating 10% to 90% relative humidity (Rh), 82.4°F (28°C) maximum wet bulb temperature, non-condensing.</p> <p>Non-operating** 10% to 95% relative humidity (Rh), 101.7°F (38.7°C) maximum wet bulb temperature, non-condensing.</p>

Technical Specifications

Altitude	Operating	10,000 ft (3000m). Maximum allowable altitude change rate is 1°C per 300m.	
	Non-Operating	30,000 ft (9144m). Maximum allowable altitude change rate is 1°C per 300m.	
Acoustic Noise	Listed are the declared A-Weighted sound power levels (LWAd) and declared average bystander position A-Weighted sound pressure levels (LpAm) when the product is operating in a 23°C ambient environment. Noise emissions were measured in accordance with ISO 7779 (ECMA 74) and declared in accordance with ISO 9296 (ECMA 109).		
	Idle (Fixed Disk Drives Spinning)		
	L WAd (BELS)	460W SPS (w/ non-redundant fan): 4.9B 460W SPS (w/ redundant fan): 5.1B 750W RPS (w/ non-redundant fan): 5.1B 750W RPS (w/ redundant fan): 5.3B	
	L-pAm	460W SPS (w/ non-redundant fan): 31.4 dBA 460W SPS (w/ redundant fan): 33.7 dBA 750W RPS (w/ non-redundant fan): 33.4 dBA 750W RPS (w/ redundant fan): 33.8 dBA	
	Operating (Random Seeks to Fixed Disks)		
	L WAd (BELS)	460W SPS (w/ non-redundant fan): 4.9B 460W SPS (w/ redundant fan): 5.2B 750W RPS (w/ non-redundant fan): 5.3B 750W RPS (w/ redundant fan): 5.4B	
	L WAd (BELS)	460W SPS (w/ non-redundant fan): 31.4 dBA 460W SPS (w/ redundant fan): 33.9 dBA 750W RPS (w/ non-redundant fan): 34.6 dBA 750W RPS (w/ redundant fan): 35.2 dBA	
	NOTE: The listed sound levels apply to standard shipping configurations. Additional options may result in increased sound levels.		
	Emissions Classification (EMC)	FCC Rating	Class B
		Normative Standards	CISPR 22; EN55022; EN55024; 47 CFR, FCC Rules and Regulations Part 15 Subpart B; VCCI Class B ITE; ICES-003; CNS13438; GB9254; K22;K24; EN 61000-3-2; EN 61000-3-3.
NOTE: Product conformance to cited product specifications is based on sample (type) testing, evaluation, or assessment. This product or family of products is eligible to bear the appropriate compliance logos and statements.			

Technical Specifications

HP Smart Array B110i SATA RAID Controller (RAID 0,1,10)	Dimensions	N/A (embedded)
	Disk Drive and Enclosure Protocol Support Architecture	3.0 Gbps SATA 64-bit
	SAS Connectors	4 internal x1 SATA connectors
	Software Upgradeable Firmware	Yes. HP Smart Array hot plug Advanced Pack No Media 1-Server license including 1yr 24x7 Technical Support
	Maximum Capacity	2TB
	Memory Addressing	6GB (maximum)
	Logical Drives Supported	2 (maximum)
	RAID Support	RAID 1 (Mirroring) RAID 0 (Striping) RAID 10

HP 250GB 3G SATA 7.2K NHP 3.5" ETY HDD	Capacity	250,059MB		
	Height	1.028 in (26.1 mm)		
	Width	4.00 in (101.6 mm)		
	Depth	5.787 in (147.0 mm)		
	Interface	Serial ATA		
	Transfer Rate (Maximum)	3Gb/s		
	Native Command Queuing	Supported		
	Seek Time (typical reads, including settling)	Single Track	2.0 ms	
		Average	11 ms	
		Full-Stroke	21.0 ms	
Physical Configuration	Rotational Speed	7,200 rpm		
	Bytes/Sector	512		
	Logical Blocks	488,397,168		
Operating Temperature (system inlet air temperature)	50° to 95° F (10° to 35° C)			

Technical Specifications

Embedded NC326i PCI Express Dual Port Gigabit Server Adapter	Network Interface	10Base-T/100Base-TX/1000Base-TX	
	Compatibility	IEEE 802.3 10Base-T	
		IEEE 802.3ab 1000Base-T	
		IEEE 802.3u 100Base-TX	
	Data Transfer Method	PCI Express, four lanes (x4)	
	Controller	BCM5715C	
	Network Transfer Rate	10Base-T (Half-Duplex)	10 Mb/s
		10Base-T (Full-Duplex)	20 Mb/s
		100Base-TX (Half-Duplex)	100 Mb/s
		100Base-TX (Full-Duplex)	200 Mb/s
1000Base-TX (Half and Full-Duplex)		2000Mb/s	
Connector	RJ-45		
Cable Support	10Base-T	Categories 3, 4 or 5 UTP; up to 328 ft (100 m)	
	10/100/1000Base-TX	Category 5 UTP; up to 328 ft (100 m)	

Environment-friendly Products and Approach	End-of-life Management and Recycling	<p>Hewlett-Packard offers end-of-life HP product return, trade-in, and recycling programs in many geographic areas. For trade-in information, please go to: http://www.hp.com/go/green. To recycle your product, please go to: http://www.hp.com/go/green or contact your nearest HP sales office. Products returned to HP will be recycled, recovered or disposed of in a responsible manner.</p> <p>The EU WEEE directive (2002/95/EC) requires manufacturers to provide treatment information for each product type for use by treatment facilities. This information (product disassembly instructions) is posted on the Hewlett Packard web site at: http://www.hp.com/go/green. These instructions may be used by recyclers and other WEEE treatment facilities as well as HP OEM customers who integrate and re-sell HP equipment.</p>
---	---	--

© Copyright 2011 Hewlett-Packard Development Company, L.P.

The information contained herein is subject to change without notice.

Microsoft and Windows NT are US registered trademarks of Microsoft Corporation. Intel is a US registered trademark of Intel Corporation.

The only warranties for HP products and services are set forth in the express warranty statements accompanying such products and services. Nothing herein should be construed as constituting an additional warranty. HP shall not be liable for technical or editorial errors or omissions contained herein.

For hard drives, 1GB = 1 billion bytes. Actual formatted capacity is less.